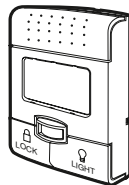


For use with LiftMaster 1300 & 3000 Series Garage Door Openers.

## Installation

Locate control console within sight of door, at a minimum height of 5' (1.5 m) where small children cannot reach, away from moving parts of door and door hardware. If installing into drywall, drill 5/32" holes and use the anchors provided. For pre-wired installations (as in new home construction), it may be mounted to a single gang box (Figure 1).



**NOTE:** The functional temperature range of the control console is between -4° F (-20° C) and 122° F (50° C). Scroll speed of display is slower at lower temperatures although the control console remains fully functional.

**CAUTION:** Continuous exposure of the control console to temperatures below -22° F (-30° C) may damage the LCD screen.

**SPECIAL NOTE:** Only one 398LM can be connected to each garage door opener. If additional wall controls are desired to operate the same garage door opener, it is recommended to use model 378LM wireless wall control as the secondary control console.

1. Disconnect power to opener.
2. Strip 7/16" (11 mm) of insulation from one end of bell wire and connect to the two screw terminals on back of control console by color: white wire to the W (2) and white/red wire to the R (1) (Figure 2).
3. Remove push bar cover by gently prying at the lower/middle portion of the cover with a small flat-head screwdriver. Fasten with 6AB x 1-1/4" self-tapping screws (drywall installation) or 6-32 x 1" machine screws (into gang box) as follows:
  - Install bottom screw, allowing 1/8" (3 mm) to protrude above wall surface.
  - Position bottom of control console on screw head and slide down to secure. Adjust screw for snug fit.
  - Drill and install top screw with care to avoid cracking plastic housing. **Do NOT overtighten.**
  - Replace cover by inserting top tabs first and then snap cover in place.
4. **(For standard installations ONLY)** Run bell wire up wall and across ceiling to motor unit. Use insulated staples to secure wire in several places. Do NOT pierce wire with a staple, creating a short or open circuit.
5. Strip 7/16" (11 mm) of insulation from end of bell wire. Connect bell wire to the quick-connect terminals on the motor unit: white to white and white/red to red (Figure 2).
6. Reconnect power.

**NOTE:** If you have any trouble with the operation of the buttons, loosen the top mounting screw.

## Models 398LM & 398LMC LCD Motion Detecting Door Control Console OWNER'S INSTRUCTIONS

### ⚠️ ⚠️ WARNING

To prevent possible **SERIOUS INJURY OR DEATH** from electrocution:

- Be sure power is **NOT** connected **BEFORE** installing door control.
- Connect **ONLY** to 24 VOLT low voltage wires.

To prevent possible **SERIOUS INJURY OR DEATH** from a closing garage door:

- Install door control within sight of garage door, out of reach of children at a minimum height of 5' (1.5 m), and away from **ALL** moving parts of door.
- **NEVER** permit children to operate or play with door control push buttons or remote control transmitters.
- Activate door **ONLY** when it can be seen clearly, is properly adjusted and there are no obstructions to door travel.
- **ALWAYS** keep garage door in sight until completely closed. **NEVER** permit anyone to cross path of closing garage door.

Figure 1

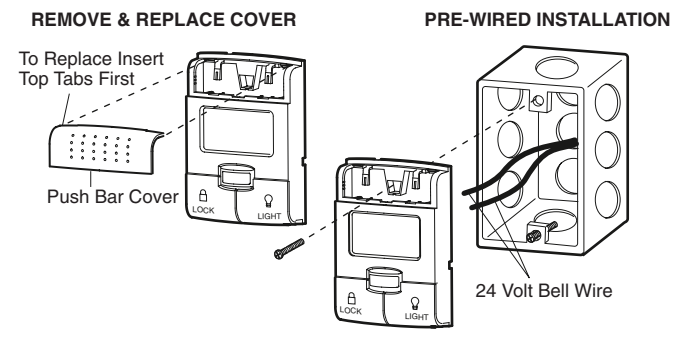
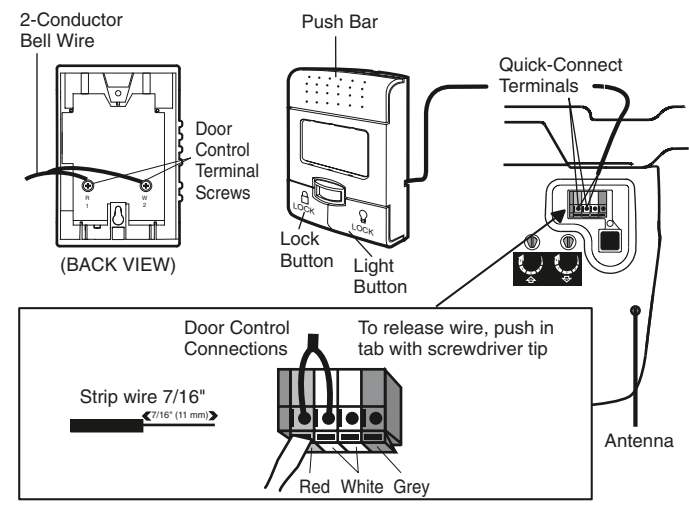


Figure 2

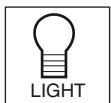
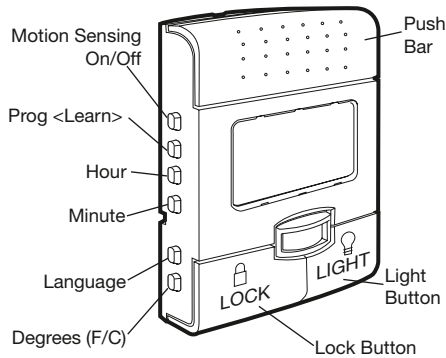


## Using the Wall-Mounted Control Console

### THE LCD MOTION DETECTING CONTROL CONSOLE

Press the push bar to open or close the door. Press again to reverse the door during the closing cycle or to stop the door while it's opening.

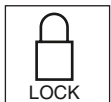
This door control contains a motion sensing detector that will automatically turn on the light when it detects a person entering the garage.



#### Light feature

Press the Light button to turn the opener light on or off. It will not control the opener lights when the door is in motion. If you turn it on and then activate the opener, the light will remain on for 4-1/2 minutes. Press again to turn it off sooner. The 4-1/2 minute interval can be changed to 1-1/2, 2-1/2, or 3-1/2 minutes as follows: Press and hold the Lock button until the light blinks (about 10 seconds). A single blink indicates that the timer is reset to 1-1/2 minutes. Repeat the procedure and the light will blink twice, resetting the timer to 2-1/2 minutes. Repeat again for a 3-1/2 minute interval, etc., up to a maximum of four blinks and 4-1/2 minutes.

When using the opener lights as working lights, we recommend that you first disable the motion sensor. See *Automatic Light Feature*, below.



#### Lock feature

Designed to prevent operation of the door from hand-held remote controls. However, the door will open and close from the Door Control, the Outdoor Key Switch and the Keyless Entry Accessories.

To activate, press and hold the Lock button for 2 seconds.

To turn off, press and hold the Lock button again for 2 seconds. The Lock feature will also turn off whenever the "learn" button on the motor unit panel is activated.

**Motion Sensing (Automatic Light Feature):** The opener light will turn on automatically when a person enters the garage. When a person walks in front of the door control, the light will come on for five minutes, then shut off. This feature works by detecting body heat.

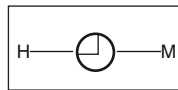


To disable this feature, push the motion sensing button on the side of the door control.

We recommend that you disable the motion sensor when using the opener lights as working lights. Otherwise, they will turn off automatically if you are working beyond the sensors range.

### (PROG) Learn Feature

The control console is equipped with a Prog <LEARN> button to assist in learning remote controls to the unit. Press the Prog <LEARN> button once to initiate LEARN mode and the display will show 'Learn Remote Control - Press LEARN Button Again to Confirm. After pressing the Prog <LEARN> button a second time the display will show 'Learn Mode - Press Remote Control Button to Learn Remote.' Press the button of the remote control to be learned and the worklight will blink to confirm the remote control has been learned.

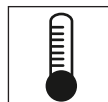


#### Hour & Minute Feature

Press or hold either of these side buttons to increment the hour or minute displayed on the LCD display.

### (LANG) Language Feature

Press this side button to toggle between the three languages - English, French and Spanish.



#### Degrees F/C Feature

Press this side button to toggle the temperature units between Fahrenheit and Celsius.

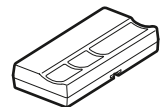
### Display Contrast Adjustment

Press and hold the light button then push the hour button to increase the contrast or the minute button to decrease the contrast.

### Additional feature when used with the 3-Button hand-held remote

To control the opener lights:

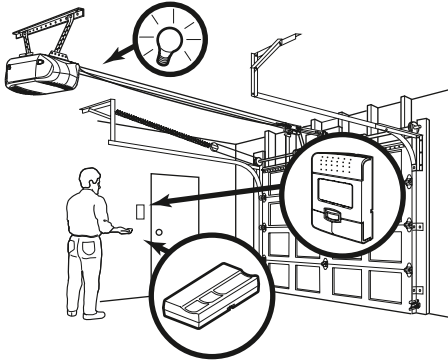
In addition to operating the door, you may program the remote to operate the lights.



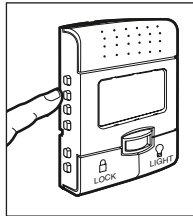
1. With the door closed, press and hold a small remote button that you want to control the light.
2. Press and hold the Light button on the door control.
3. While holding the Light button, press and hold the Lock button on the door control.
4. After the opener lights flash, release all buttons.

## To Add or Reprogram a Remote Control

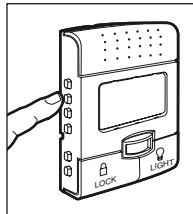
### TO ADD ADDITIONAL REMOTE CONTROLS USING THE LCD CONTROL CONSOLE



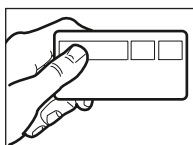
1. Press the Prog <Learn> button on the LCD/Motion Detecting Control Console.



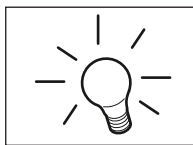
2. Press the Prog <Learn> button again to confirm Learn Mode.



3. Press the button on the hand-held remote that you wish to operate your garage door.

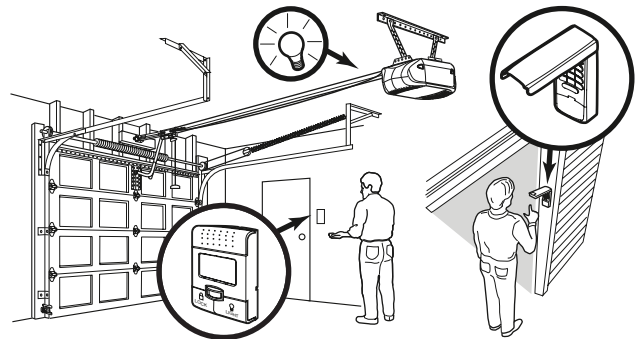


4. When the motor unit lights blink, it has learned the code. If light bulbs are not installed, two clicks will be heard.



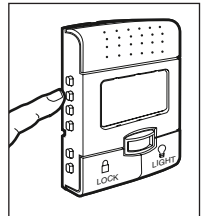
## To Add, Reprogram or Change a Keyless Entry PIN

### USING THE LCD CONTROL CONSOLE

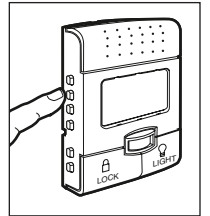


**NOTE:** This method requires two people if the Keyless Entry is already mounted outside the garage.

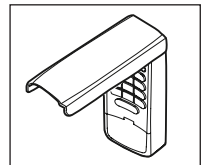
1. Press the Prog <Learn> button on the LCD/Motion Detecting Control Console.



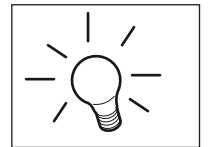
2. Press the Prog <Learn> button again to confirm Learn Mode.



3. Enter a four digit personal identification number (PIN) of your choice on the keypad. Then press enter.



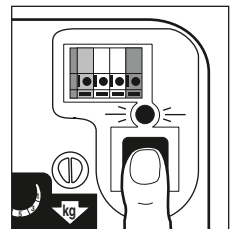
4. When the motor unit lights blink, it has learned the code. If light bulbs are not installed, two clicks will be heard.



## To Erase All Codes From Motor Unit Memory

To deactivate any unwanted remote, first erase all codes:

Press and hold the "learn" button on motor unit until the learn indicator light goes out (approximately 6 seconds). All previous codes are now erased. Reprogram each remote or keyless entry you wish to use.



## LCD Motion Detecting Control Console Messages

The following messages are contained within the LCD Motion Detecting Control Console and may appear during the operations of the unit:

### Message

SAFETY SENSORS  
CHECK ALIGNMENT,  
BLOCKAGE OR  
MISWIRING. SEE  
OWNER'S MANUAL.

- **Meaning:** *This message will appear if the Safety Reversing Sensors are out of alignment, if they are blocked or if the wiring is disconnected. To clear message from Control Console do the following:*

- Check to see that area is clear between the Safety Reversing Sensors.
- Check to see that the Safety Reversing Sensors are not misaligned.
  - Realign receiving eye sensor, clean lens and secure brackets.
  - Verify door track is firmly secured to wall and does not move.
- Check to see that the Safety Reversing Sensors' wires are connected to the motor unit.
- If message has not cleared after the above checks, refer to message #2.

### Message

SAFETY SENSORS  
MALFUNCTION.  
CHECK MISWIRING.  
SEE OWNER'S  
MANUAL.

- **Meaning:** *This message will appear if the Safety Reversing Sensors are miswired. To clear the message, do the following:*

- Inspect the safety sensor wires for a short (staple in wire), correct wiring polarity (black/white wires reversed), replace/attach as needed.
- Disconnect all wires from back of motor unit.
- Remove safety sensors from brackets and shorten sensor wires to 1-2 ft. (30-60 cm) from back of each sensor.
- Reattach sending eye to motor unit using shortened wires. If sending eye indicator light glows steadily, attach the receiving eye.
- Align sensors, if the indicator lights glow replace the wires for the sensors. If the sensor indicator lights do not light, replace the safety sensors.

### Message

LEARN REMOTE  
CONTROL. PRESS  
LEARN BUTTON TO  
CONFIRM.

- **Meaning:** *This message will appear when the Prog <LEARN> button has been pressed on the Control Console. Pressing the Prog <LEARN> button again will allow the user to program an additional remote control to the opener.*

### Message

LEARN MODE.  
PRESS REMOTE  
CONTROL BUTTON  
TO PROGRAM  
REMOTE.

- **Meaning:** *This message will appear when the Prog <learn> button has been pressed a second time on the Control Console or anytime on the opener. The opener is ready to program another remote control by simply pressing the remote control button. Once the opener has 'LEARNED' the remote control, the worklight will blink one time.*

### Message

LOCK MODE.  
REMOTE CONTROL  
LOCKED OUT.  
PRESS LOCK  
BUTTON TO ENABLE  
REMOTE.

- **Meaning:** *This message will appear when the 'Lock' button has been pressed and held for more than one second. This feature will disable the opener from receiving remote control signals. To exit 'LOCK' mode, press and hold the button for more than one second.*

### Message

ENGLISH, FRANÇAIS  
AND ESPAÑOL.

- **Meaning:** *This message will appear when the 'Language' button has been pressed. Pressing the button will toggle to the next language.*

### Message

MOTION SENSING  
ON, MOTION  
SENSING OFF.

- **Meaning:** *This message will appear when the 'MOTION SENSING' button is pressed. The Motion Detector will toggle on or off with each press of the button.*

***HOW TO ORDER  
REPAIR PARTS***

**DEVANCO CANADA**

19192 HAY ROAD, UNIT Q  
SUMMERSTOWN, ON K0C 2E0

TOLL FREE: 855-931-3334

[www.devancocanada.com](http://www.devancocanada.com)

**WHEN ORDERING REPAIR PARTS  
PLEASE SUPPLY THE  
FOLLOWING INFORMATION:**

- ✓ PART NUMBER
- ✓ DESCRIPTION
- ✓ MODEL NUMBER