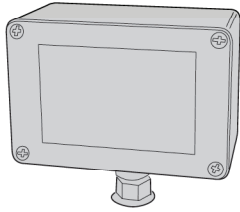


MGT

Linear

GATE SAFETY EDGE TRANSMITTER

Installation Instructions



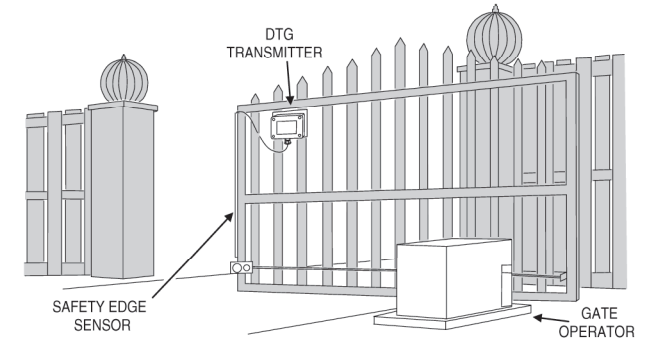
For more information:
www.devancocanada.com
or call toll free at 855-931-3334

DESCRIPTION

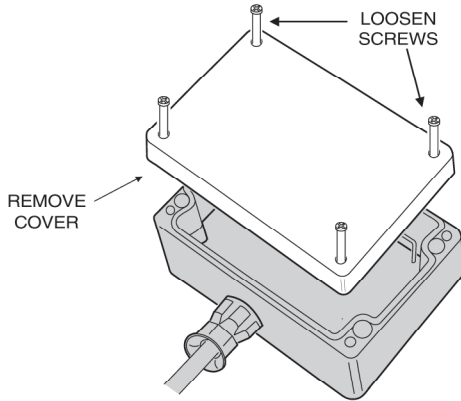
The MGT is part of Linear's Access Control product line and is the only fully supervised gate edge safety transmitter on the market today. In a typical installation, the MGT is mounted on a motorized gate, door or barrier arm and wired to a standard exterior safety edge sensor which presents a closed circuit across the connecting wires when an object is hit during the closing of a gate. To insure full compatibility with all gate edge supervision features, Linear recommends Miller gate edge sensors with an optional capacitor (.001 UF) installed. Please specify when ordering sensor. If the edge sensor is pressed for 1/8 second, the MGT transmits a message to the AccessMaster or AccessPro to reverse the movement of the gate. A status message is sent to the receiver once every hour which indicates battery condition and that the transmitter is operational. If the edge sensor becomes disconnected or shorted, the status transmission informs the receiver that a trouble condition exists. The MGT also features a tamper switch which will send a trouble transmission when the cover is removed.

The MGT circuit board has been coated to prevent moisture damage and is mounted inside a weather resistant fiberglass box. The mounting box attaches to the gate through sealed interior mounting screws.

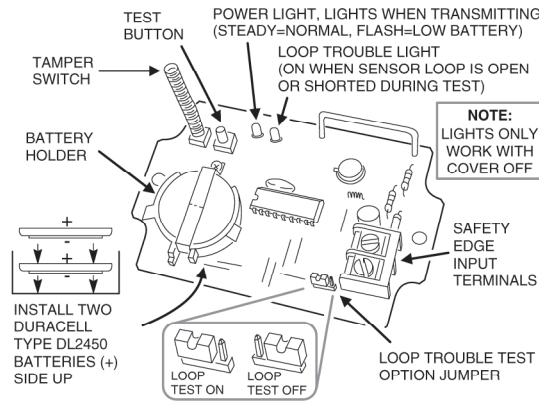
TYPICAL INSTALLATION



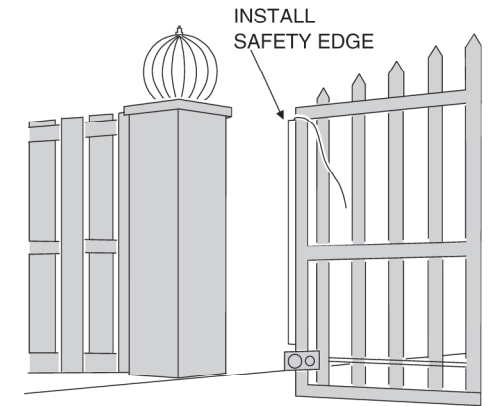
STEP 1 Remove Cover. Loosen the four screws on transmitter top and remove cover.



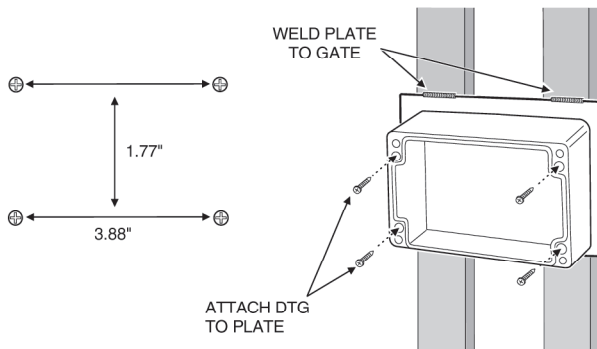
STEP 2 Locate Parts. Refer to diagram below for transmitter parts location and details.



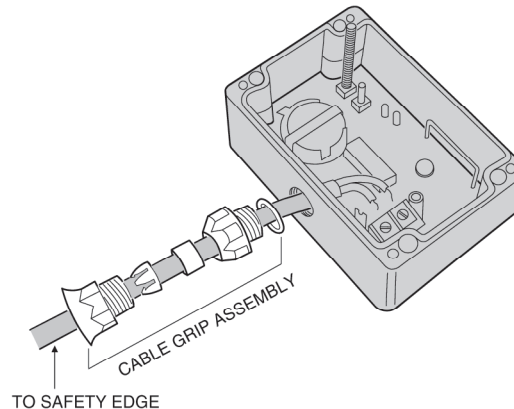
STEP 3 Mount Safety Edge. Mount safety edge according to manufacturer's instructions included with the product.



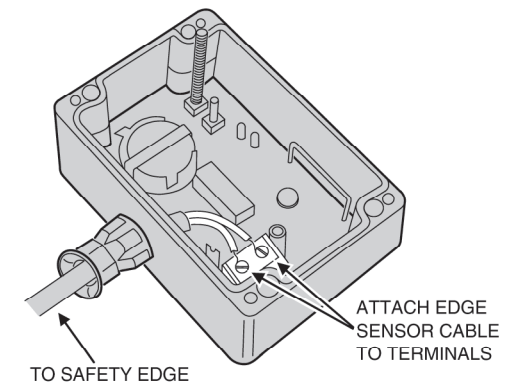
STEP 4 Mount MGT. Choose a location as high as possible on gate in a secure position. Use the template attached to mark the location for the transmitter. You may have to attach a metal or wood plate to mount transmitter. Use a 3/32" bit and drill holes. Attach MGT to gate using the four #6 self-tapping drill point screws.



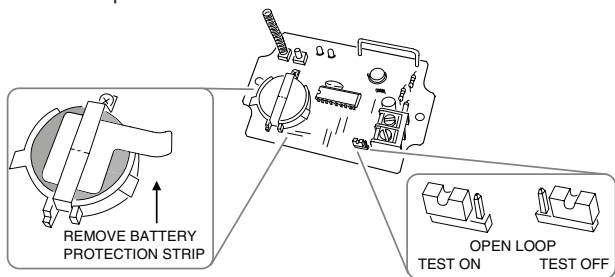
STEP 5 Assemble Cable Grip. Unscrew the cable grip about 3/4 of the way and thread the safety edge cable through the cable entry on the transmitter.



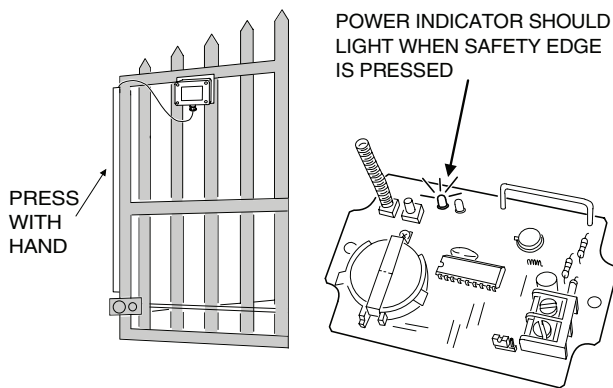
STEP 6 Attach Cable. Attach safety edge cable to terminals as shown. Tighten cable grip assembly using pliers to assure a water tight seal.



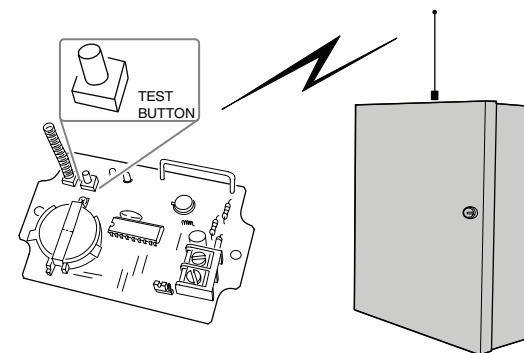
STEP 7 Set Jumper. Remove the battery protection strip. The MGT monitors the edge sensor for short circuits and cut wiring by measuring the edge sensor capacitance value. This function works with edge sensors such as Miller Edge Models MGR20 and MGS20. Some edge sensors may not present enough capacitance to pass this test. If a constant loop trouble condition is being indicated the test can be disabled by setting the Open Loop Test Option Jumper to the OFF position.



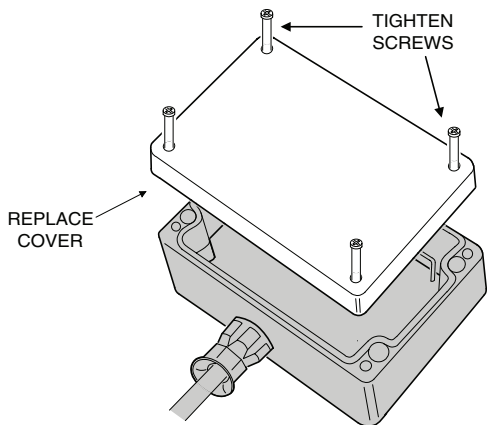
STEP 8 Test Safety Edge. Test safety edge connection by pressing the safety edge. The power light should come on.



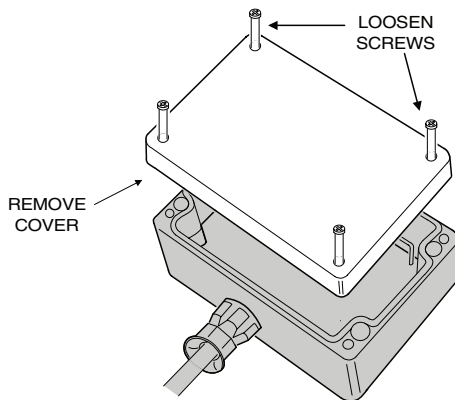
STEP 9 Program Transmitter. Refer to receiver programming instructions to set the receiver into the program mode. Press the "test" button to program the unit identification code into the receiver. Facility/ID code is located on the inside of the unit, near the terminal block.



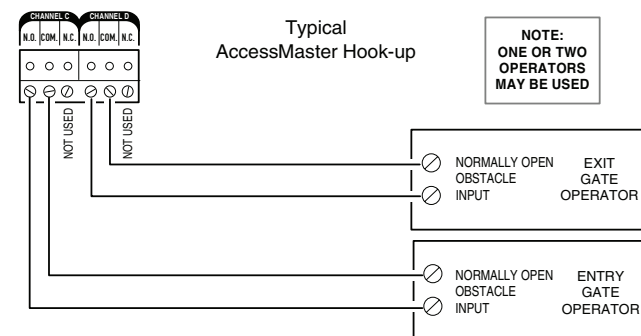
STEP 10 Reset Trouble Indicator. Close transmitter cover and reset any trouble indicators on receiver caused by the open cover.



STEP 11 Test Tamper. Open transmitter cover and check receiver to see that a tamper is indicated. Replace cover when finished.

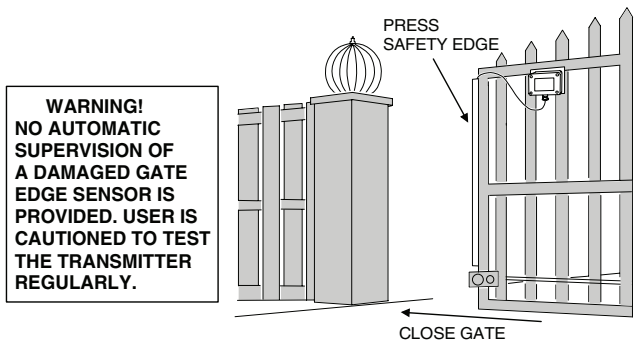


STEP 12 Wire Receiver. Wire receiver obstacle output to obstacle input on operator. Refer to operator and receiver wiring instructions.

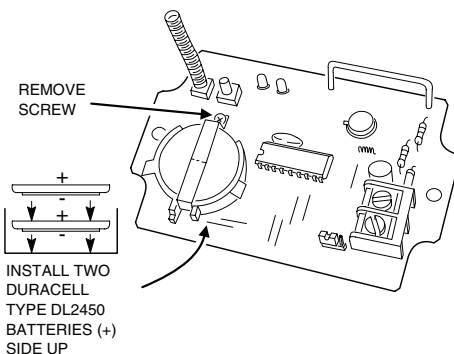


STEP 13 Test System. Activate the gate to close. As the gate is closing, press the safety edge with your hand. Gate should stop and reverse

CAUTION! DO not stand in the path of the closing gate.



STEP 14 Replacing Batteries. Remove the screw on the battery clip to remove batteries. Place two Duracell Lithium 3V type DL 2450 batteries with the (+) side up in the battery compartment and replace clip and screw.



LIMITED WARRANTY

This Linear product is warranted against defects in material and workmanship for twelve (12) months. The Warranty Expiration Date is labeled on the product. This warranty extends only to wholesale customers who buy direct from Linear or through Linear's normal distribution channels. Linear does not warrant this product to consumers. Consumers should inquire from their selling dealer as to the nature of the dealer's warranty, if any. There are no obligations or liabilities on the part of Linear Corporation for consequential damages arising out of or in connection with use or performance of this product or other indirect damages with respect to loss of property, revenue, or profit, or cost of removal, installation, or reinstallation. All implied warranties, including implied warranties for merchantability and implied warranties for fitness, are valid only until Warranty Expiration Date as labeled on the product. This Linear Corporation Warranty is in lieu of all other warranties express or implied.

All products returned for warranty service require a Return Product Authorization Number (RPA#). Contact Linear Technical Services at 1-800-421-1587 for an RPA# and other important details.

Important!!!

Linear radio controls provide a reliable communications link and fill an important need in portable wireless signaling. However, there are some limitations which must be observed.

- * For U.S. installations only: The radios are required to comply with FCC Rules and Regulations as Part 15 devices. As such, they have limited transmitter power and therefore limited range.
- * A receiver cannot respond to more than one transmitted signal at a time and may be blocked by radio signals that occur on or near their operating frequencies, regardless of code settings.
- * Changes or modifications to the device may void FCC compliance.
- * Infrequently used radio links should be tested regularly to protect against undetected interference or fault.
- * A general knowledge of radio and its vagaries should be gained prior to acting as a wholesale distributor or dealer, and these facts should be communicated to the ultimate users.

HOW TO ORDER REPAIR PARTS

DEVANCO CANADA

19192 HAY ROAD, UNIT Q
SUMMERSTOWN, ON K0C 2E0

TOLL FREE: 855-931-3334
www.devancocanada.com

**WHEN ORDERING REPAIR PARTS
PLEASE SUPPLY THE FOLLOWING INFORMATION:**

- ✓ PART NUMBER
- ✓ DESCRIPTION
- ✓ MODEL NUMBER