





RADIO-EM932: DIP SWITCH TRANSMITTER

Replacement and Programming Instructions

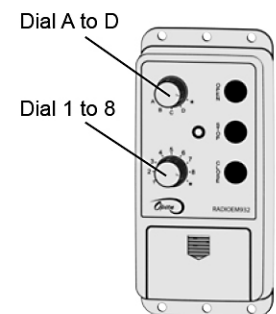
Transmitters: Compatibility and Replacement

Replacement Product		Discontinued Products	
Transmitter	 <p>RADIOEM932</p>	<ul style="list-style-type: none"> • 3-Button Transmitter. • Operates up to 32 doors by using a combination of 2-rotary dials and dip switch keys. • Open / Close / Stop function. • LED indicator. • Soft-touch push-buttons, including a bright red stop button for easy identification. • Includes 4 mounting screws and anchors. • 2 AA batteries. • Wall or post mounting. 	<p>RADIO050 (MCT-32)</p>  <ul style="list-style-type: none"> • 3-Button Transmitter. • Operates up to 32 doors. • Open / Close / Stop function. • LED indicator. • 9V battery. • Wall or post mounting.
			<p>RADIO042 (MCT-4)</p>  <ul style="list-style-type: none"> • 3-Button Transmitter. • Operates up to 4 doors. • Open / Close / Stop function. • LED indicator. • 9V battery. • Wall or post mounting.
			<p>RADIO047 (MCT-1)</p>  <ul style="list-style-type: none"> • 3-Button Transmitter. • Operates 1 door. • Open / Close / Stop function. • LED indicator. • 9V battery. • Wall or post mounting.

➤ Replacing RADIO050 (32-Door Transmitter) with RADIOEM932 (32-Door Transmitter):

The transmitter has 8 dip switching keys and two rotary dials (Letters: A to D, *) and (Numbers: 1 to 8, *) which permit for a proper door selection. RADIOEM932 can control up to 32 differently coded receivers.

With the use of a screwdriver or a pen, place the dip switch keys on the RADIOEM932 transmitter at the same positions as those found on RADIO050. To operate the different receivers, use the same rotary dial positions (A to D and 1 to 8) on the RADIOEM932 transmitter as those found on RADIO050.



Receiver Dip Switch Keys Positioning (RADIO031 / RADIO037) for up to 32-Doors:

- ➔ Dip Switch Keys #6 to #8 = must be at the same ON / OFF positions as the transmitter.
- ➔ Dip Switch Keys #1 to #5 = coding of the receiver (32 combinations). Refer to Table 1, p. 2 for DIP switch keys positioning.

For more information, please visit www.devancocanada.com or call toll free at 855-931-3334

RADIO-EM932: DIP SWITCH TRANSMITTER

Replacement and Programming Instructions

Table 1 - Receiver Dip Switch Keys Positioning (RADIO031 / RADIO037) for up to 32-Doors

Transmitter Dial Positions	A		B		C		D	
	Receiver Dip Switch Key Positions							
	ON	OFF	ON	OFF	ON	OFF	ON	OFF
1	1, 3, 4, 5	2	3, 4, 5	1, 2	1, 2, 3, 4, 5	-	2, 3, 4, 5	1
2	1, 4, 5	2, 3	4, 5	1, 2, 3	1, 2, 4, 5	3	2, 4, 5	1, 3
3	1, 3, 5	2, 4	3, 5	1, 2, 4	1, 2, 3, 5	4	2, 3, 5	1, 4
4	1, 5	2, 3, 4	5	1, 2, 3, 4	1, 2, 5	3, 4	2, 5	1, 3, 4
5	1, 3, 4	2, 5	3, 4	1, 2, 5	1, 2, 3, 4	5	2, 3, 4	1, 5
6	1, 3	2, 4, 5	3	1, 2, 4, 5	1, 2, 3	4, 5	2, 3	1, 4, 5
7	1, 4	2, 3, 5	4	1, 2, 3, 5	1, 2, 4	3, 5	2, 4	1, 3, 5
8	1	2, 3, 4, 5	-	1, 2, 3, 4, 5	1, 2	3, 4, 5	2	1, 3, 4, 5

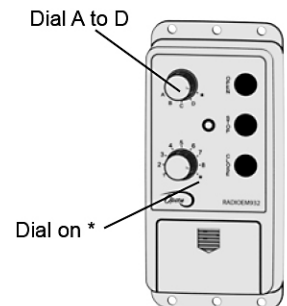
Example: For a receiver to work on **B-5**, dip switch keys **#1, #2** and **#5** must be set to **OFF**, keys **#3** and **#4** must be set to **ON** and keys **#6 to #8** need to match the transmitter.

	1	2	3	4	5	6	7	8
ON ↑	■	■	■	■	■	Must match with transmitter		

➤ Replacing RADIO042 (4-Door Transmitter) with RADIOEM932 (32-Door Transmitter):

The transmitter has 8 switching keys and two rotary dials (Letters: A to D, *) and (Numbers: 1 to 8, *) which permit for a proper door selection.

With the use of a screwdriver or a pen, place the dip switch keys on the RADIOEM932 transmitter at the same positions as those found on RADIO042. To operate the different receivers, use the same Letter rotary dial positions (A to D) and leave the Number dial to * .



Receiver Dip Switch Keys Positioning (RADIO031 / RADIO037) for up to 4-Doors:

- ➔ Dip Switch Keys **#3 to #8** = must be at the same ON / OFF positions as the transmitter.
- ➔ Dip Switch Keys **#1 and #2** = coding of the receiver (4 combinations). Refer to Table 2 for DIP switch keys positioning.

Table 2 - Receiver Dip Switch Keys Positioning (RADIO031 / RADIO037) for up to 4-Doors

Transmitter Dial Positions	A		B		C		D	
	Receiver Dip Switch Key Positions							
	ON	OFF	ON	OFF	ON	OFF	ON	OFF
*	1	2	-	1, 2	1, 2	-	2	1

Example: For a receiver to work on **B**, dip switch keys **#1** and **#2** must be set to **OFF** and keys **#3 to #8** need to match the transmitter.

	1	2	3	4	5	6	7	8
ON ↑	■	■	Must match with transmitter					

For more information, please visit www.devancocanada.com or call toll free at 855-931-3334

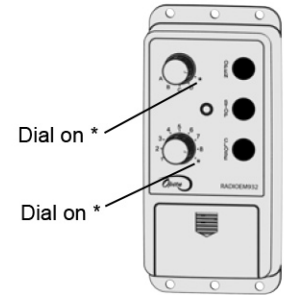
RADIO-EM932: DIP SWITCH TRANSMITTER

Replacement and Programming Instructions

➤ Replacing RADIO047 (1-Door Transmitter) with RADIOEM932 (32-Door Transmitter):

The transmitter has 8 switching keys and two rotary dials (Letters: A to D, *) and (Numbers: 1 to 8, *) which permit for a proper door selection.

With the use of a screwdriver or a pen, place the dip switch keys on the RADIOEM932 transmitter at the same positions as those found on RADIO047. Also set **both rotary dials** on the RADIOEM932 transmitter to * .






Receiver Dip Switch Keys Positioning (RADIO031 / RADIO037) for 1-Door:



➔ Dip Switch Keys #1 to #8 = must be at the same ON / OFF positions as the transmitter.

ON	1	2	3	4	5	6	7	8
↑	Must match with transmitter							

Receivers: Compatibility and Replacement

Replacement Product			Discontinued Products			
Receiver	RADIORE900		<ul style="list-style-type: none"> • Controls 1 Operator. • Easy installation on wall close to operator or directly onto operator's control box. • Nema 1 enclosure. • Operates on 24Vac/Vdc. • LED indicator. • Includes 2 mounting screws and anchors. • Optional commercial antenna (RADIO029) and 15' coaxial cable (CABLE015) available for increased range and distance. 	RADIO031 (MCR-32 N4)		<ul style="list-style-type: none"> • Controls 1 Operator. • Nema 4/12 enclosure. • Includes commercial antenna. • Operates on 24Vac.
				RADIO037 (MCR-32)		<ul style="list-style-type: none"> • Controls 1 Operator. • Nema 1 enclosure. • Includes commercial antenna. • Operates on 24Vac.

➤ Replacing RADIO031 or RADIO037 Receivers with a new RADIORE900 Receiver and Pairing it to an Existing Transmitter:

1. Make sure the existing transmitter's dials are set to the proper positions.
2. Press the **LEARN** button on the RADIORE900 receiver. The **RED LED** will  **BLINK**. You will have 15 sec. to complete the pairing or you will need to restart.
3. Press **any Button** on the existing transmitter.
4. The **RED LED** will stop  blinking. The RADIORE900 has now been paired with the existing transmitter.
5. Only one transmitter needs to be matched per receiver. The other transmitters with the same dip switch configuration will pair automatically.

For more information, please visit www.devancocanada.com or call toll free at 855-931-3334

RADIO-EM932: DIP SWITCH TRANSMITTER

Replacement and Programming Instructions

➤ Pairing RADIOEM932 Transmitter to RADIORE900 Receiver:

1. Make sure the dip switch keys inside the RADIOEM932 transmitter are set to the proper positions.
2. Make sure the RADIOEM932 transmitter's dials are set to the proper positions.
3. Press the **LEARN** button on the RADIORE900 receiver. The **RED LED** will **BLINK**. You will have 15 sec. to complete the pairing or you will need to restart.
4. Press **any Button** on the transmitter.
5. The **RED LED** will stop blinking. The RADIORE900 has now been paired with the transmitter.
6. Only one transmitter needs to be matched per receiver. The other transmitters with the same dip switch configuration will pair automatically.

Wiring RADIORE900 Receiver for Open / Close / Stop Function

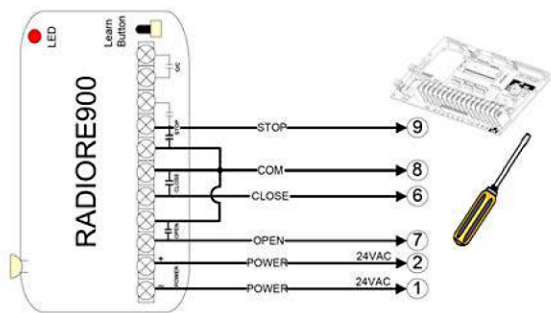


Figure 1 - Wiring of RADIORE900 Receiver for Electronic Control BOARD

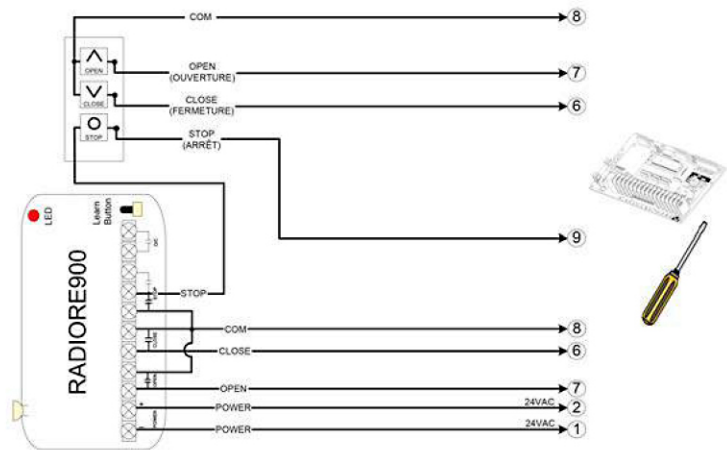


Figure 2 - Wiring of RADIORE900 Receiver and 3-Push Button Station for Electronic Control Board

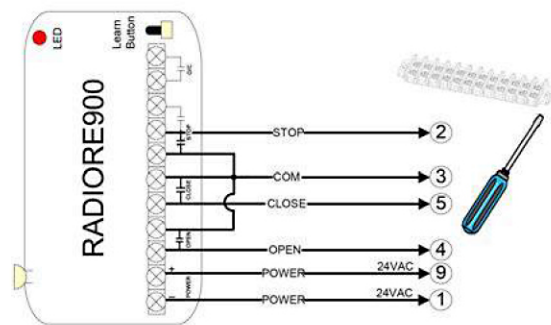


Figure 3 - Wiring of RADIORE900 Receiver for Electro-Mechanical Control

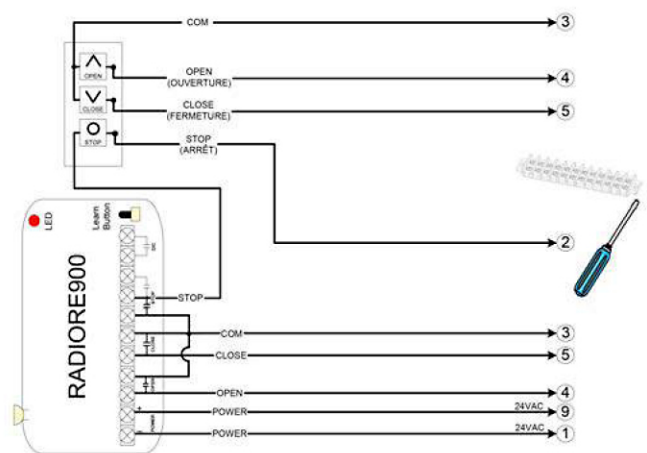


Figure 4 - Wiring of RADIORE900 Receiver and 3-Push Button Station for Electro-Mechanical Control

***HOW TO ORDER
REPAIR PARTS***

DEVANCO CANADA

19192 HAY ROAD, UNIT Q
SUMMERSTOWN, ON K0C 2E0

TOLL FREE: 855-931-3334

www.devancocanada.com

**WHEN ORDERING REPAIR PARTS
PLEASE SUPPLY THE
FOLLOWING INFORMATION:**

- ✓ PART NUMBER
- ✓ DESCRIPTION
- ✓ MODEL NUMBER