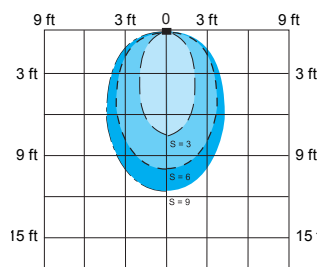


# FALCON FAMILY

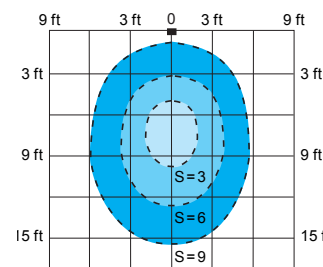
MOTION SENSOR FOR INDUSTRIAL DOORS , GATES & WARNING INDICATION



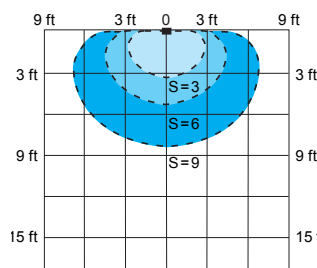
## PRIMARY APPLICATIONS



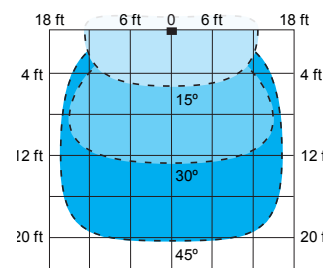
**H=11' / Tilt Angle=30**



**H = 16' / Tilt Angle = 30  
(Standard Falcon Pattern)**



**H = 8' / Tilt Angle = 30  
(Falcon XL Pattern)**



**H = 11.5' / Sensitivity = 9  
(Falcon Wide Pattern)**

## DESCRIPTION

BEA's Falcon family of sensors is the premier microwave activation solution for indoor and outdoor industrial applications. The family includes the Falcon, Falcon XL (extra low mount) and Falcon Wide (for wide detection areas).

BEA's Falcon family is ideal for automatic industrial doors, vehicle gates/barriers, vehicle detection, loading docks or any other industrial application where motion detection is required.

Housed in a NEMA 4 rated enclosure, the Falcon family is designed to operate in harsh environments.

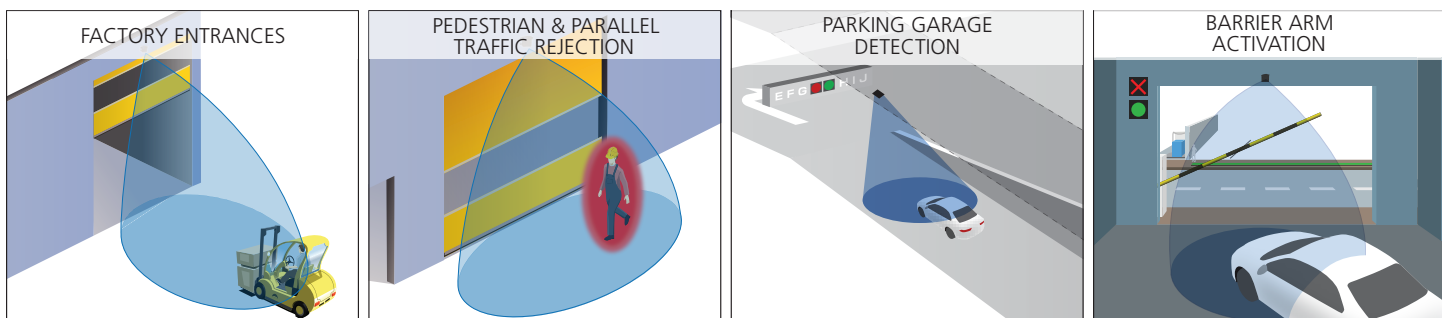
## FEATURES & BENEFITS

- Bidirectional, unidirectional approach and unidirectional depart microwave detection options
- Six modes of detection filtering for pedestrian and parallel traffic rejection
- Falcon family provides three different models with various mounting heights and detection zones (see technical specifications)
- Remote control programming enables user to quickly and safely make changes from the ground
- Tilt angle from 0° – 180°
- NEMA 4 rated enclosure



For more information:  
visit [www.devancocanada.com](http://www.devancocanada.com)  
or call toll free at 855-931-3334

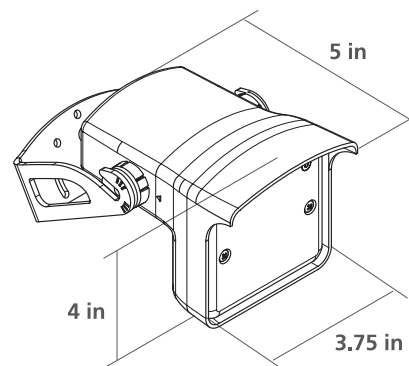
## APPLICATIONS



## TECHNICAL SPECIFICATIONS

<b>Technology</b>	Microwave Doppler Radar
Radiated Frequency	24.150 GHz
Transmitter Radiated Frequency	< 20 dBm EIRP
Radiated Power Density	< 5 mW / cm <sup>2</sup>
<b>Detection Mode</b>	Motion
<b>Detection Zone (WxD)</b>	
Falcon	156 in x 192 in; @ 192 in (13 ft x 16 ft @ 16 ft)
Falcon XL	156 in x 78 in; @ 98.4 in (13 ft x 6.5 ft @ 8.2 ft)
Falcon Wide	360 in x 132 in; @ 252 in (30 ft x 11 ft @ 21 ft) Typical at 30° and field size 9
<b>Tilt Angles</b>	0° – 180°
<b>Output</b>	Relay (free of potential change-over contact)
Max. Contact Voltage	42 VAC / VDC
Max. Contact Current	1 A (resistive)
Max. Switching Power	30 W (DC); 60 VA (AC)
<b>Minimum Detection Speed</b>	2 in / s
<b>LEDs</b>	
Green	Value indication
Red	Detection state & parameter indication
<b>Mains Frequency</b>	50 – 60 Hz
<b>Supply Voltage</b>	12 – 24 VAC; ±10% 12 – 24 VDC; 30% / -10%
<b>Maximum Power Consumption</b>	< 2 W
<b>Mounting Height</b>	
Falcon	138 in – 276 in (11.5 ft – 23 ft)
Falcon XL	78 in – 138 in (6.5 ft – 11.5 ft)
Falcon Wide	138 in – 252 in (11.5 ft – 21 ft)
<b>Dimensions</b>	3.75 in (W) x 4 in (H) x 5 in (D)
<b>Materials</b>	ABS & Polycarbonate
<b>Temperature Range</b>	-22 °F – 140 °F
<b>Degree of Protection</b>	NEMA 4 / IP65
<b>Norm of Conformance</b>	EMC: 2004 / 108 / EC R&TTE: 1999 / 5 / EC

## DIMENSIONAL DRAWINGS



## RELATED PRODUCTS



**10FALCON**  
STANDARD  
MOUNTING HEIGHTS



**10FALCONXL**  
LOW MOUNTING  
HEIGHTS



**10FALCONW**  
WIDE DETECTION  
FIELDS



**10FALCONEX**  
EXPLOSION PROOF  
MOTION SENSOR SERIES



**10INDBRACKET**  
ADJUSTABLE  
MOUNTING BRACKET



**10MINIBRACKET**  
SHORT ADJUSTABLE  
MOUNTING BRACKET



**10REMOTE**  
BEA UNIVERSAL  
REMOTE CONTROL

For more information, please visit [www.devancocanada.com](http://www.devancocanada.com) or call toll free at 855-931-3334