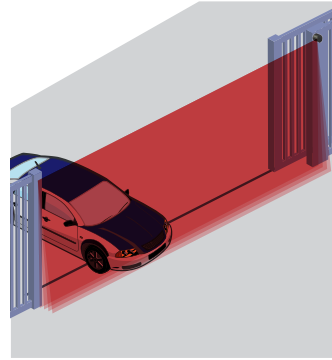


LZR[®]-i30

LASER SCANNER FOR INDUSTRIAL AUTOMATION



PRIMARY APPLICATIONS



Maximum Detection
Zone of 360 in x 360 in
(30 ft x 30 ft)

DESCRIPTION

BEA's LZR-i30 is a laser-based time-of-flight sensor. This high precision technology ensures accurate object detection. The product configuration provides four laser-based curtains offering a three dimensional safety zone.

The sensor is designed for the detection of people and vehicles, in both indoor and outdoor environments. The detection accuracy makes this sensor ideal for high performance industrial doors, vehicle flow safety, perimeter protection and variety of applications.

The LZR-i30 is housed in a NEMA 4 rated enclosure and can be installed in outdoor, industrial and other harsh environments. Three visible LED spots provide accurate reference points when adjusting the tilt angle. Parameter adjustments can be made with a BEA remote control.

FEATURES & BENEFITS

- Four curtains of detection each capable of 360 in x 360 in (30 ft x 30 ft)
- Detects objects as small as 2 inches at 30 feet away, depending on application
- Degree of protection: NEMA 4 / IP65
- Has the ability to ignore dynamic ground conditions and extreme weather
- Three visible LEDs for pattern alignment

For more information, please visit www.devancocanada.com or call toll free at 855-931-3334



APPLICATIONS

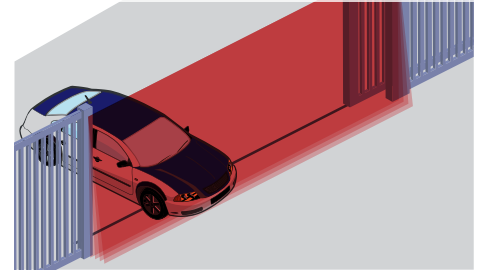
AUTOMATIC INDUSTRIAL DOORS



VIRTUAL PUSH PLATE



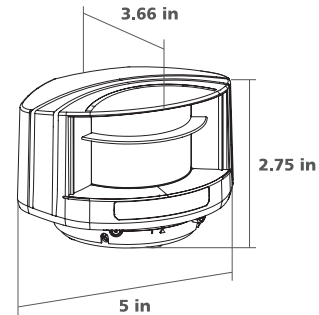
GATES AND BARRIERS



TECHNICAL SPECIFICATIONS

Technology	LASER scanner, Time-of-Flight measurement
Detection Mode	Motion / Presence (EN 12453 Typ. E)
Max. Detection Range	360 in x 360 in (30 ft x 30 ft)
Detection Plane	4 curtains per sensor, curtain spread dependent on mounting height
Remission Factor	> 2%
Emission Characteristics	
IR LASER	Wavelength 905 nm; maximum output pulse power 75 W
Red Visible LASER	Wavelength 650 nm; maximum output CW power 3 mW
Supply Voltage	10 – 35 VDC @ Sensor Terminal (to be operated from SELV compatible power supplies only)
Peak Current at Power-On	1.8 A (Max. 80 ms @ 35 V)
Power Consumption	< 5 W
Response Time	Typ. 20 ms; max. 80 ms (+ output activation delay)
Output	2 electronic relays (galvanic isolated – polarity free)
Max. Switching Voltage	35 VDC / 24 VAC
Max. Switching Current	80 mA (resistive)
LED-Signal	1 Blue LED: Status « Power-on » 1 Orange LED: Status « Error » 2 Bi-colored LEDs: Detection / Output Status (Green: no detection; Red: detection)
Dimensions	
Housing 10LBA	5 in (W) x 2.75 in (H) x 3.66 in (D) Adds 0.55 in
Cable Length	360 in (30 ft)
Material	PC / ASA
Color	Black
Rotation Angle on Bracket	±5° (Lockable)
Tilt Angle on Bracket	±3°
Degree of Protection	NEMA 4 / IP65
Temperature Range	-22 °F – 140 °F if powered 14 °F – 140 °F if unpowered
Humidity	0 – 95% non-condensing
Vibrations	< 2 G
Pollution on Front Screens	Max. 30% ; Homogenous
Test Body Dimensions	< 11.81 in x 7.87 in x 27.56 in @ 276 in (EN 12445 test body A)
Norm Conformance	2006 / 95 / EC: LVD; 2002 / 95 / EC: RoHS; 2004 / 108 / EC: EMC; 2006 / 42 / EC: MD; EN 12453:2000 chapter 5.1.1.6, chapter 5.5.1 Safety device E; EN 12978:2009; EN ISO 13849-1:2008 CAT2, Pl "d"; EN 60529:2001; IEC 60825-1:2007; EN 60950-1:2005; EN 61000-6-2:2005; EN 61000-6-3:2006; IEC 61496-1:2009; EN 61496-3: 2008 ESPE Type 2; EN 62061:2005 SIL 2

DIMENSIONAL DRAWINGS



RELATED PRODUCTS



10LZR130
LZR-I30
SENSOR



10LZR5600
LZR-S600
SENSOR



10PS12-24
110-1224 VDC
POWER SUPPLY



10LBA
LZR MOUNTING
BRACKET ACCESSORY



10INDBRACKET
20 IN – 36 IN
EXTENSION BRACKET



10MINIBRACKET
6 IN – 12 IN
EXTENSION BRACKET



10REMOTE
BEA UNIVERSAL
REMOTE CONTROL
*REMOTE IS REQUIRED

LZR®-I30

LASER SCANNER FOR INDUSTRIAL AUTOMATION

For more information, please visit www.devancocanada.com or call toll free at 855-931-3334