



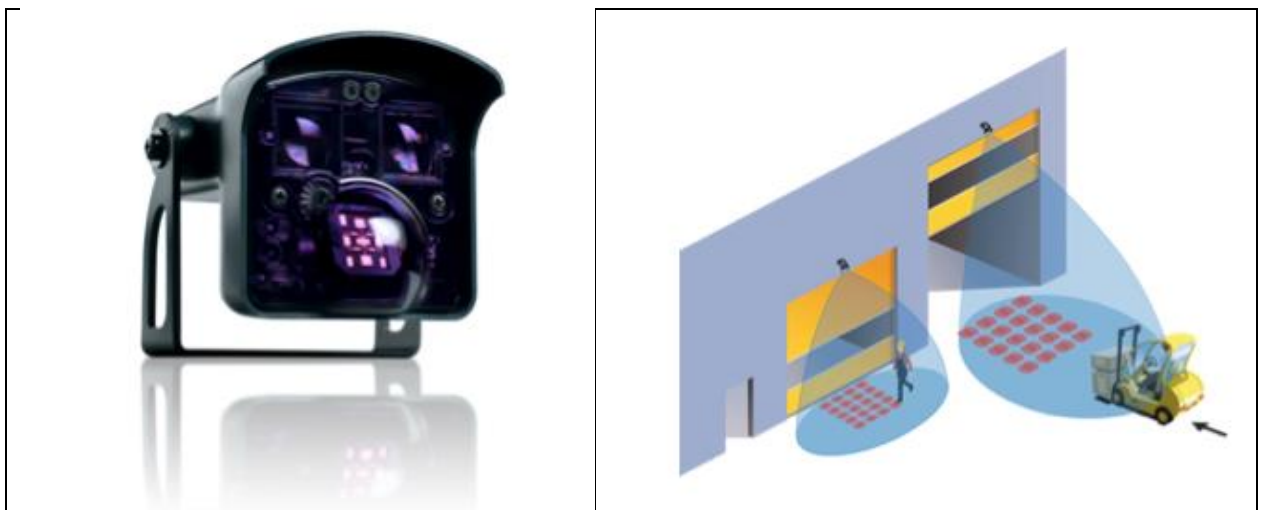
BEA ARCHITECTURAL SPECIFICATION SHEET

Automatic and Industrial Door Solutions: IS40/IS40XL

Product Specification

IS40 and IS40XL - Dual Technology Door Sensor utilizing a K-Band (24.125 GHz) Microwave Motion Detection Sensor and Active Infrared Sensor in order to detect static objects. Sensor has separate outputs for each detection zone. Microwave Motion Sensor designed with the ability to detect the movement of pedestrians and vehicles. The sensor shall utilize a planar (flat antenna), and shall be capable to disregard cross traffic motion and only detect vehicular traffic. Active Infrared Sensor designed to detect moving and static objects. Sensor can be mounted up to 16ft (192 in.) above the floor and offers a maximum infrared pattern size of 120 in. wide x 120 in. deep (304.8 cm x 304.8 cm). Active Infrared Sensor has adjustable learn time settings. Microwave Sensor detection zone can be adjusted through pattern configurations and angle adjustments in order to set the pattern size. Programming Remote for Set Up: NEMA 4 / IP65 Enclosure: 12-24 AC/DC Power. IS40XL – Mounting Height 6ft (72 in.) to 11.5ft (138 in.) – IS40 Mounting Height 11.5ft (138 in.) to 16ft (192 in.)

Product image and Application Photo



**For more information, please visit www.devancocanada.com
or call toll free at 855-931-3334**



Technical Specs:

Technology	Microwave Doppler Radar	Infrared
LED Signal	Green (Activation Relay)	Red (Presence Relay)
Radiated Frequency	24.175 GHz	875 nm
Radiated Power Density	< 5 mW/cm ²	< 250 mW/m ²
Detection Mode	Motion	Presence
Max. Detection Field (IS40)	156 in. x 192 in. (396.24 cm x 487.68 cm)	120 in. x 120 in. (304.8 cm x 304.8 cm)
Max. Detection Field (IS40xl)	156 in. x 78 in. (396.24 cm x 198.12 cm)	90 in. x 90 in. (228.6 cm x 228.6 cm)
Output Hold Time	0.5 sec. to 9 sec.	0.5 sec.
Minimum Target Speed	2 in/sec in sensor axis	0 in/sec
Radar Angle / Sensor angle	-8° to 22° (Relative to sensor face)	15°, 30°, 45°
Sensor Tilt Angle	15° to 45°	
Supply Voltage	12 to 24 VAC ±10% 12 to 24 VDC +30% / -5%	

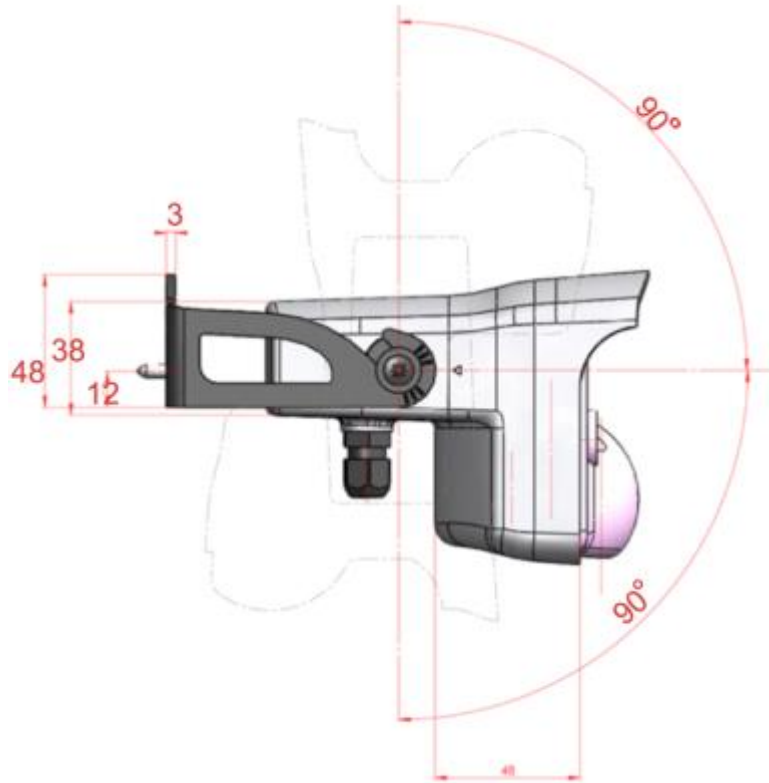
Main Frequency	50 to 60 Hz
Power Consumption	< 3.5 W
Relay Output Max. Voltage Max. Current Max. Switching Power	2 Relays with switch-over contact (voltage free) 60 VDC / 125 VAC 1A (resistive) 30W (DC) / 60VA (AC)
Installation Height	IS40: 96 in. - 192 in. (243.84 cm - 487.68cm) IS40XL: 78 in. - 138 in. (198.12 cm - 350.52cm)
Temperature Range	-22°F to 140°F (-30°C to 60°C)
Protection Degree	NEMA 4 / IP65
Norm Conformity	Electromagnetic compatibility (EMC) according to 2004/108/EEC, R&TTE: 1999/5/EC
Dimensions (D×W×H)	5 in. × 4 in. × 3.75 in. (12.7 cm x 10.16 cm x 9.5 cm)
Material: Housing / Face	Black / Transparent Purple
Cable Length	32 Ft. (384 in.) (975.36 cm)



Dimensions:

5 in. D × 4 in. W × 3.75 in. H





For more information, please visit www.devancocanada.com
or call toll free at 855-931-3334