

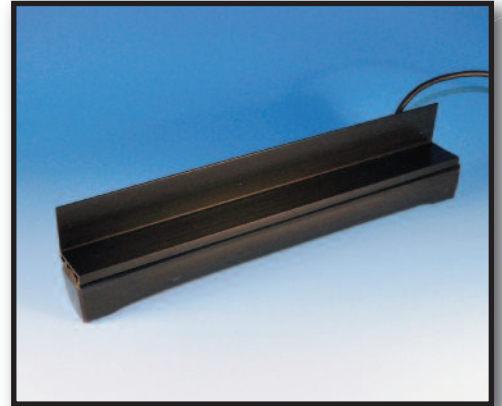
SensingEdge

Applications

- **Commercial Sectional Doors**
- **Gates**
- **Material Handling Systems**

About the ME112...

This pressure sensitive electric edge can be adapted to suit a wide variety of applications. It is manufactured to user specifications for length, sensitivity and outlet location. When touch activated, the ME112 sends an immediate signal to stop and/or reverse operations depending upon your particular application. This Sensing Edge retrofits easily to 1" to 1 1/4" sectional doors with accepting bottom bar or you can select the compatible mounting channel.



OPTIONS:

- 4-wire N.O. electrical configuration
- Pneumatic (MEP112) or Air Wave (MAW112)
- Soft Ends
- Coil Cord attached
- Retracting Reel
- 4-wire control panel (MFSC-100)
- 4-wire intrinsically safe control panel (FSIS-25-4)
- Extra Sensitive (ME112XS)
- Mounting Channel Option

TECHNICAL SPECIFICATIONS:

Color:	Black
Length:	per specification to nearest 1/4
Lead Wire:	SJTO, 18 gauge, 2ft. length or 22 gauge universal
Sensitivity:	nominal 6-8 psi
Electrical Diagram:	2 wire N.O. configuration
Electrical Requirements:	24 volt AC or DC, 1/2 amp
Mechanical Diagram:	See drawings on reverse side
Contact Element:	Alumaglas®
Materials:	Extruded Flexible PVC
Mounting Channel:	High - Density PVC
Temperature Range:	-30°F to +155°F
Wire Outlet Location:	Right side, Left side or End

FUNCTIONAL BENEFITS:

- Touch Sensitive Signalling
- Small Profile
- Easy to Install
- Optional Safety Yellow color provide visual recognition of hazardous area
- Stock sizes available for same day shipment
- Mounts Vertically or Horizontally
- ANSI/UL325 Recognized Component



For more information, please visit www.devanco.ca or call toll free at 855-931-3334

Model # ME112

SensingEdge

Installation

Place ME112 channel in desired location. Drill 1/8" holes through channel and into mounting surface every 24". Slide ME112 SensingEdge into mounting channel. Attach channel to surface with screws. Wire the ME112 to controls.

Note

For safe operation, use a maximum 24 volt, 1/2 amp AC or DC power. For detailed installation and wiring instructions, contact MillerEdge, Inc.

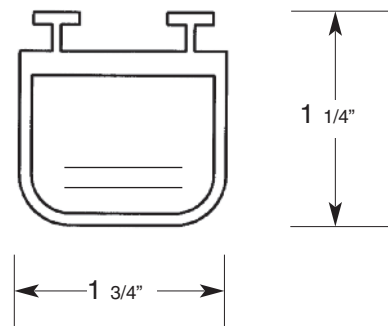
Care of the ME112. . .

Minimal care is required for the ME112 since it is manufactured with only the most durable materials and the highest quality control standards. However, SensingEdges must be examined once per month for cuts or punctures which could damage internal components. With the SensingEdge attached and the door open place a 1" thick wood block on the floor in the door's path at approximately the center of the door. Activate the opener. The door opener must reverse and open the door when it comes in contact with the wood. If it does not, a qualified technician must adjust, repair, or replace the necessary parts. Check wiring to be sure connections are secure. Check reversing mechanism often to assure integrity of operations. When properly maintained, the ME112 offers years of trouble free operations.

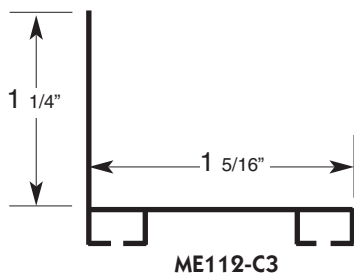
Warranty

We will replace within one year of shipment from our factory, any SensingEdge™ subject to normal use which is found to have defective materials or workmanship, as determined solely by our factory representative. Replacements will be shipped to you freight collect. This warranty is void where evidence of misuse or abuse is present.

Mechanical Diagrams:



Mounting Channels:



U.S. patent #4,398,814 Canadian patent #1,048,066 other patents apply in U.S. and abroad.

ME112_Spec_20120315

**For more information, please visit www.devancocanada.com
or call toll free at 855-931-3334**