

# MH Hoist Operator

## Medium-Duty Logic Door Operator

CHAMBERLAIN IS AN ISO9001:2008 REGISTERED COMPANY



I.C./F.C.C. Certified

Customer \_\_\_\_\_

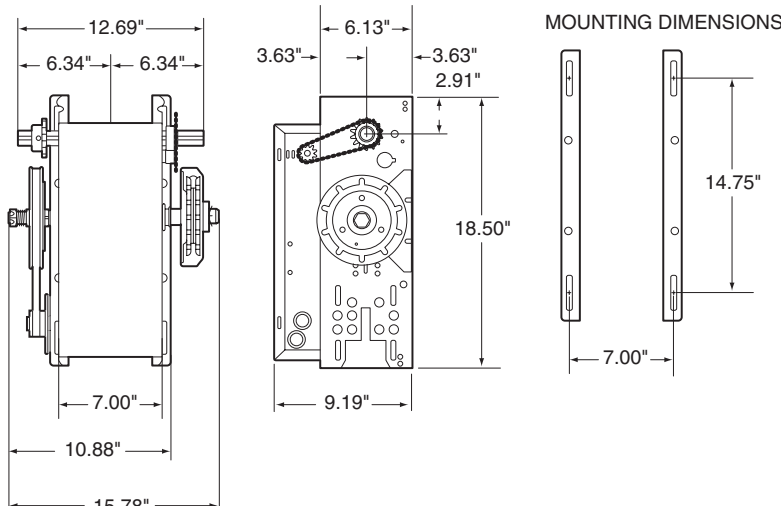
Project \_\_\_\_\_

Architect/Engineer \_\_\_\_\_

Contractor \_\_\_\_\_

Drawing Number \_\_\_\_\_ Date \_\_\_\_\_ Sheet \_\_\_\_\_ of \_\_\_\_\_

### SHOP DRAWING



### Specifications for Ordering

1) Supply \_\_\_\_\_ ( ) LiftMaster Operator(s) Model \_\_\_\_\_  
 \_\_\_\_\_ HP, \_\_\_\_\_ Volts, \_\_\_\_\_ Phase, \_\_\_\_\_ Hertz \_\_\_\_\_

2) For \_\_\_\_\_ wide x \_\_\_\_\_ high door(s) with \_\_\_\_\_

3) Supply \_\_\_\_\_ ( ) OPEN/CLOSE/STOP control station(s) in NEMA \_\_\_\_\_ enclosure per operator

4) Supply auxiliary and optional equipment as specified below (one per operator unless otherwise noted)

Additional Info

### Notes:

- 1) Refer to Model MH product data sheet for general information
- 2) Refer to drawing \_\_\_\_\_ for wiring diagram

| MOTOR AMPERAGE RATING |                        |
|-----------------------|------------------------|
| HORSE POWER           | VOLTAGE - PHASE - 60Hz |
|                       | 1/2                    |

Manufactured by:  
 The Chamberlain Group, Inc.  
 845 Larch Avenue • Elmhurst, Illinois 60126

**For more information:**  
 visit [www.devancocanada.com](http://www.devancocanada.com)  
 or call toll free 855-931-3334

# LiftMaster®

Commercial Door Operators