

LiftMaster®

MODEL 374UT

Universal Mini Remote Control



TABLE OF CONTENTS

GETTING STARTED	2	COMMERCIAL DOOR OPERATORS	11
LOCATE THE PROGRAM/LEARN BUTTON	3-7	Programming to a commercial door operator with a RADIO button.....	11
Chamberlain® products	3	GATE OPERATORS	12
Genie® products	4	Program to a gate operator with a Program/LEARN button	12
Linear® products	5	EXTERNAL RECEIVERS.....	13
Wayne Dalton® products	5	Programming to an external receiver with a Program/LEARN button	13
LiftMaster® products	6	MYQ® LIGHT CONTROLS	14
Overhead Door® products	6	Programming to a MyQ® Light Control.....	14
Stanley® products	7	NEED HELP?	15
GARAGE DOOR OPENERS	8-9	BATTERY	16
Programming to a garage door opener with a Program/LEARN button	8		
Programming to a Genie® Intellicode® 2 garage door opener	9		
Programming to a LiftMaster garage door opener using the LEARN button on the control panel	10		



Read instructions thoroughly **BEFORE** beginning.

If using the Universal Mini Remote Control with residential door openers, the remote control must be used only with door openers manufactured after 1993 that utilize photoelectric sensors. The photoelectric sensors are always located on or near the bottom of the door track.

WARNING

To prevent possible **SERIOUS INJURY** or **DEATH** from a moving gate or door:

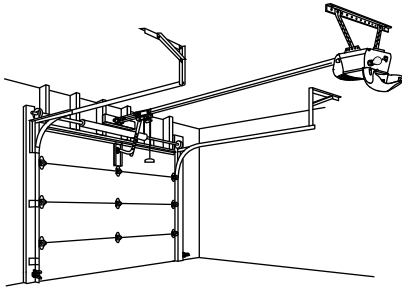
- ALWAYS keep remote controls out of reach of children. NEVER permit children to operate, or play with remote control transmitters.
- Activate gate or door **ONLY** when it can be seen clearly, is properly adjusted and there are no obstructions to door travel.
- ALWAYS keep gate or door in sight until completely closed. NEVER permit anyone to cross path of moving gate or door.

For more information, please visit www.devancocanada.com or call toll free at 855-931-3334

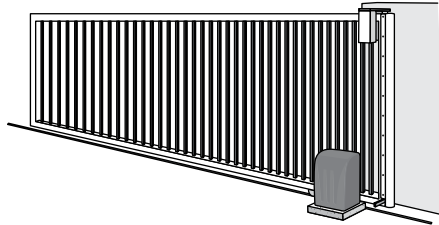
GETTING STARTED

The Universal Mini Remote Control can be programmed to activate up to two products, such as a garage door opener, MyQ® light control, gate operator, or commercial door operator. Each button on the remote control works independently of the other and must be programmed separately. The images throughout this manual are for reference only and your product may look different.

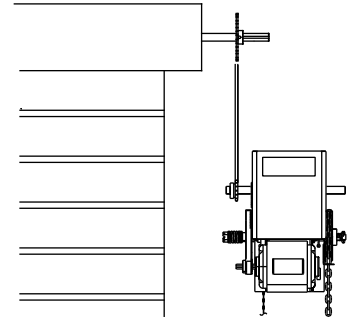
Garage Door Opener



Gate Operator



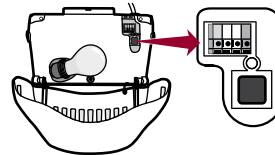
Commercial Door Operator



You will need to locate the Program/LEARN button on your product before you start programming.

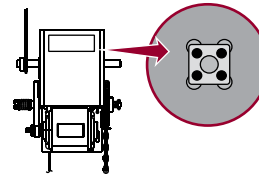
GARAGE DOOR OPENERS

The Program/LEARN button is typically located on the back or side panel of your garage door opener. Your Program/LEARN button may have a different name (SMART button, SET button, etc.). For help locating your Program/LEARN button refer to the Table of Contents in this manual or contact your garage door opener manufacturer.



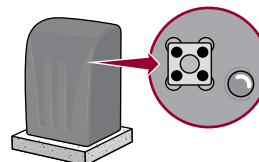
COMMERCIAL DOOR OPERATORS

The RADIO button is typically located on the logic board of your operator. For help locating your RADIO button contact your door operator manufacturer.



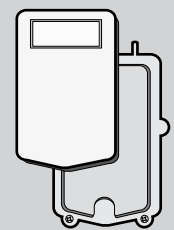
GATE OPERATORS

The Program/LEARN button is typically located on the control board of your operator. Your Program/LEARN button may have a different name (RADIO button, XMITTER button, etc.). For help locating your Program/LEARN button contact your gate operator manufacturer.



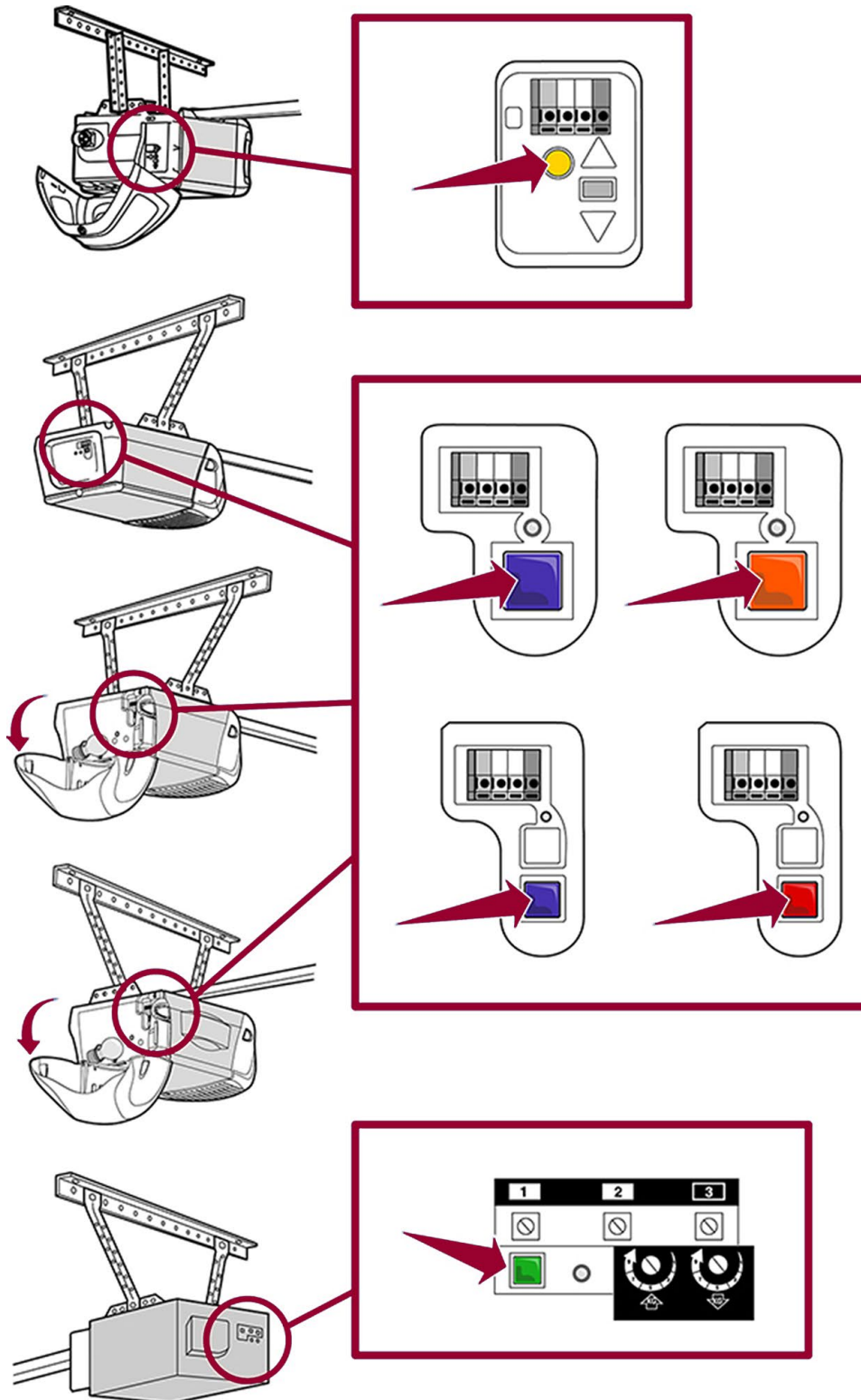
EXTERNAL RECEIVER

Some products do not have a Program/LEARN button. In this case, the Program/LEARN button will be located in an external receiver. The receiver will be located on the product or mounted nearby. Follow the programming instructions for an external receiver.



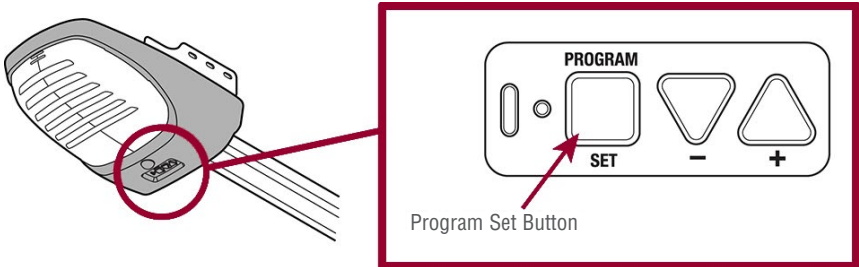
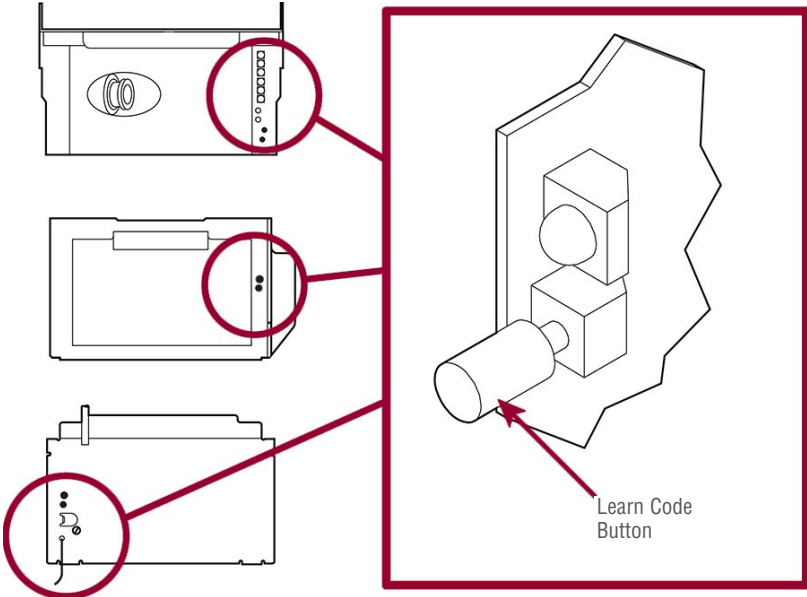
LOCATE THE PROGRAM/LEARN BUTTON

CHAMBERLAIN PRODUCTS



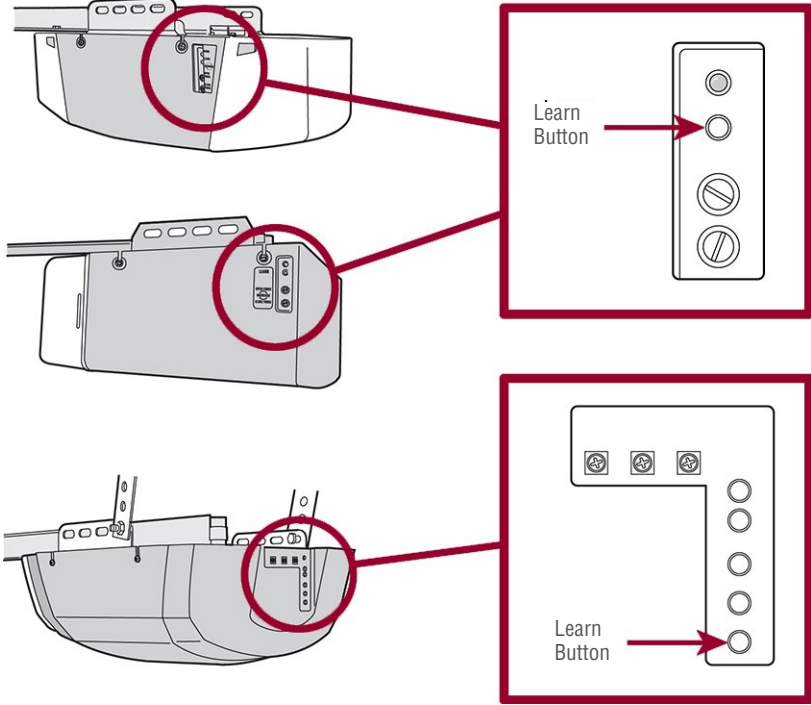
LOCATE THE PROGRAM/LEARN BUTTON

GENIE PRODUCTS

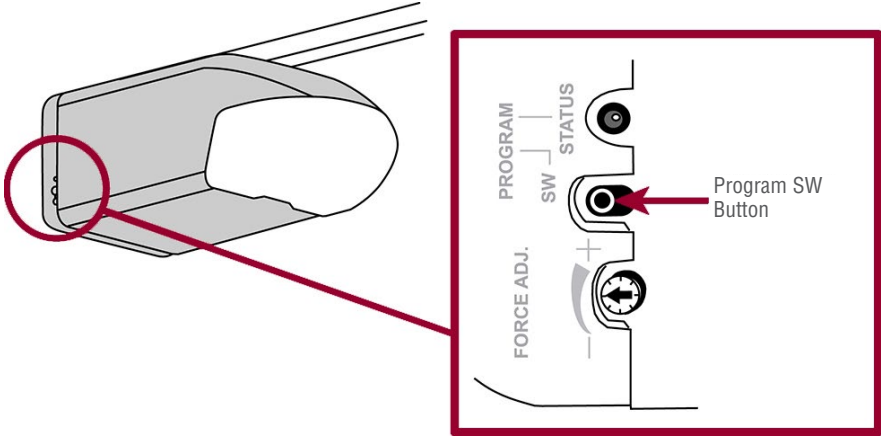


LOCATE THE PROGRAM/LEARN BUTTON

LINEAR PRODUCTS

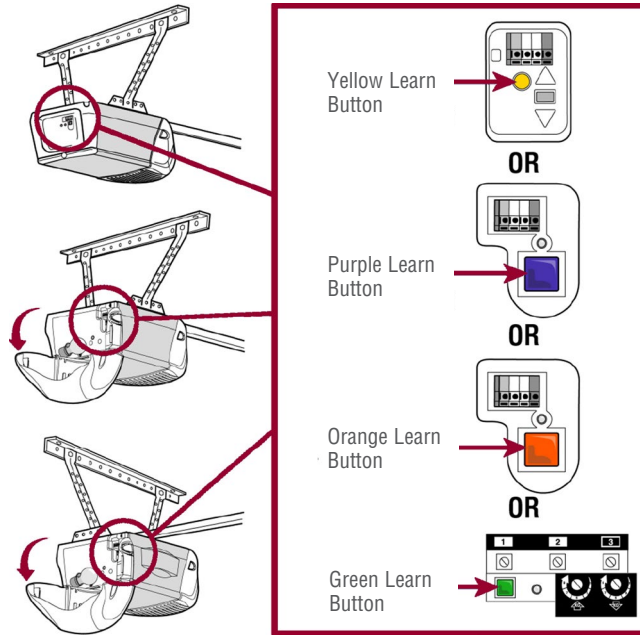


WAYNE-DALTON PRODUCTS

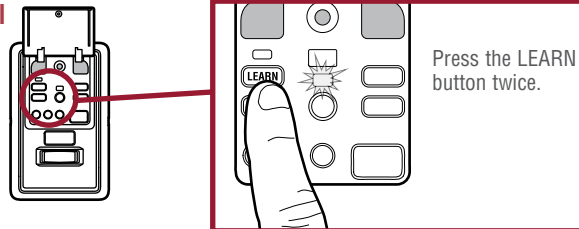


LOCATE THE PROGRAM/LEARN BUTTON

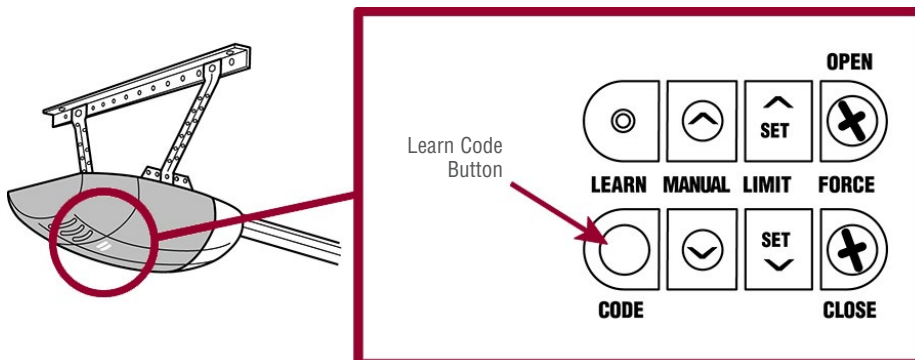
LIFTMASTER PRODUCTS



Control Panel

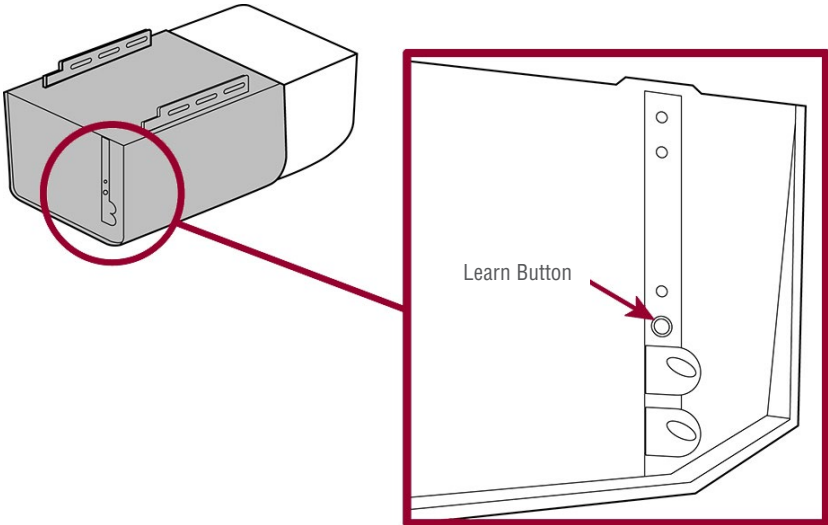


OVERHEAD DOOR PRODUCTS



LOCATE THE LEARN BUTTON

STANLEY PRODUCTS



GARAGE DOOR OPENERS

Programming to a Garage Door Opener with a Program/LEARN Button

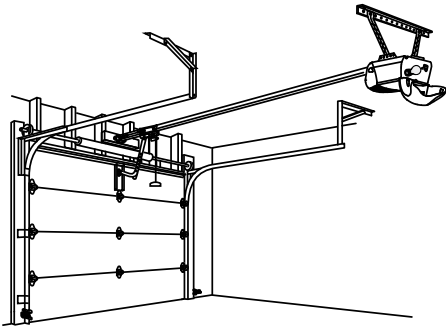
The Program/LEARN button is typically located on the back or side panel of the garage door opener or an external receiver. For help locating your Program/LEARN button contact your garage door opener manufacturer.

If you have a LiftMaster or Chamberlain branded garage door opener with a yellow learn button, press and release the learn button, then press and hold the button on the remote control you would like to use. If programming is not successful, proceed through the steps below.

If you have a Genie® IntelliCode® 2 garage door opener go to the next page.

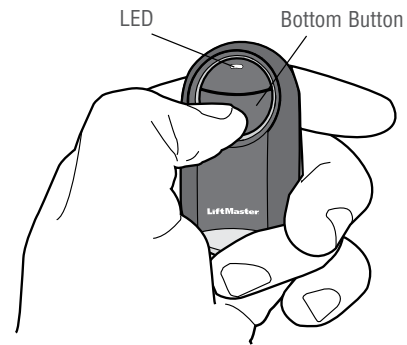
The images throughout this manual are for reference only and your product may look different.

- 1** Start with your garage door closed.

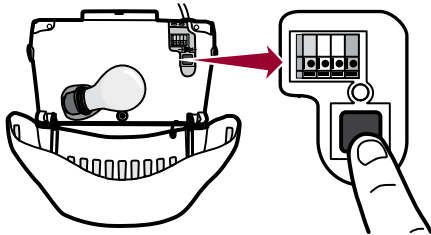


IMPORTANT: The remote will activate your garage door during programming. Ensure garage door is clear of ALL obstructions.

- 2** Press and hold bottom button on the remote control until the blue LED stays solid (approximately 15 seconds) then release the button.



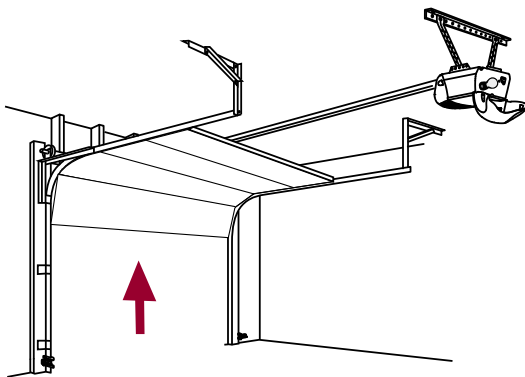
- 3** Press and release the Program/LEARN button on your garage door opener.



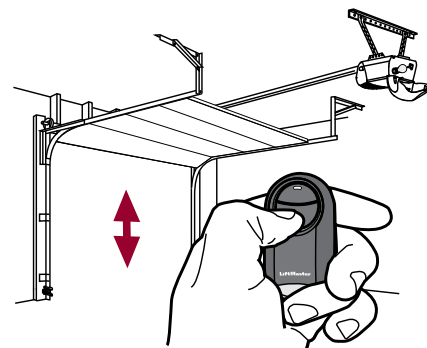
- 4** On the remote control, press and release the button that you would like to program twice. The blue LED will blink for up to 60 seconds.



- 5** Wait for the garage door to move, then press and release either of the buttons on the remote.



- 6** Test the remote control by pressing the button you programmed in step 4. If the garage door opener does not activate, repeat the programming steps.



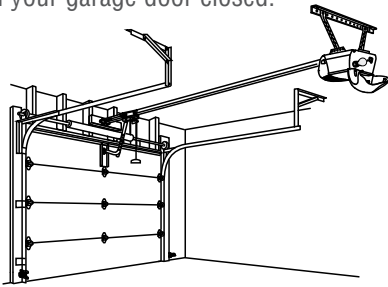
GARAGE DOOR OPENERS (continued)

Programming to a Genie® Intellicode® 2 Garage Door Opener

Before starting, you **MUST** have an existing Genie® Intellicode® 2 remote control programmed to the garage door opener. For help programming a Genie Intellicode 2 remote control, see your owner's manual.

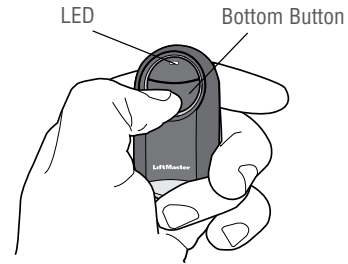
The images throughout this manual are for reference only and your product may look different.

- 1** Start with your garage door closed.

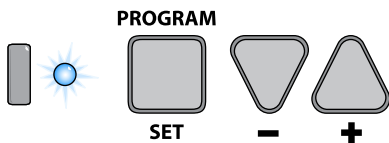


IMPORTANT: The remote will activate your garage door during programming. Ensure door is clear of ALL obstructions.

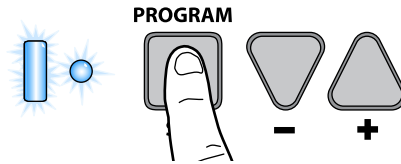
- 2** Press and hold bottom button on the remote control until the blue LED stays solid (approximately 15 seconds) then release the button.



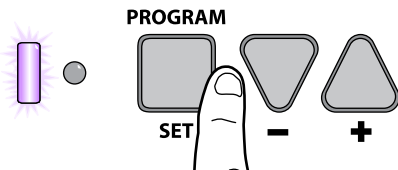
- 3** Wait for the round LED on the garage door opener to flash BLUE then press and release either of the buttons on the remote.



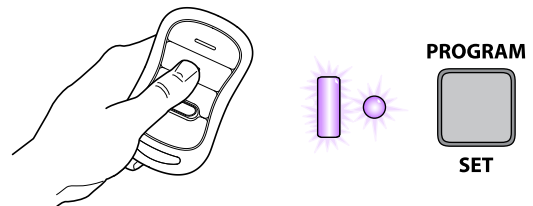
- 4** On the garage door opener, press and hold the Program/Set button until both the long and short LED's light up BLUE.



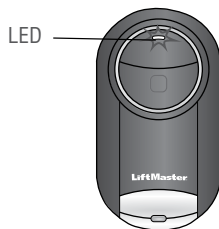
- 5** Press and release the Program/Set button and the long LED will flash PURPLE.



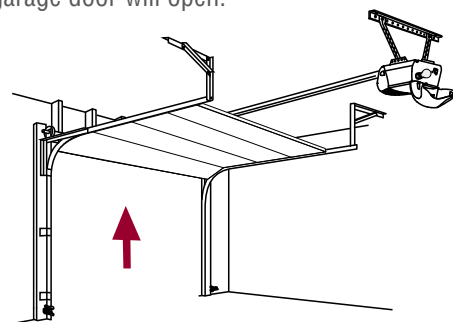
- 6** On the Genie® remote control, press and release the button that is already programmed to the garage door opener. Both LED's will flash PURPLE.



- 7** On the remote control, press and release the button that you would like to program 3 times. The blue LED will blink for up to 60 seconds.



- 8** The garage door will open.



Test the remote control by pressing the button you programmed in step 7. If the garage door opener does not activate, repeat the programming steps.

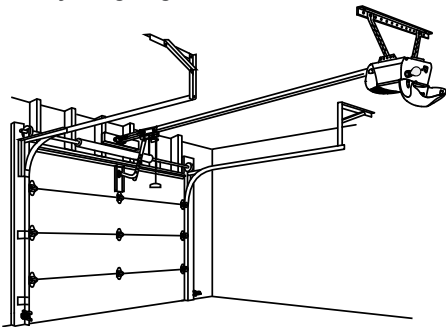
GARAGE DOOR OPENERS (continued)

Programming to a LiftMaster Garage Door Opener Using the LEARN Button on the Control Panel

If you have a LiftMaster or Chamberlain branded control panel, press and release the LEARN button twice, then press and hold the button on the remote control you would like to use. If programming is not successful, follow the steps below.

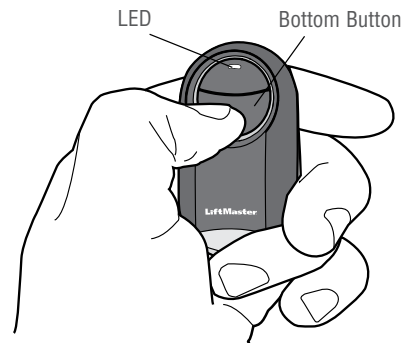
The images throughout this manual are for reference only and your product may look different.

- 1** Start with your garage door closed.

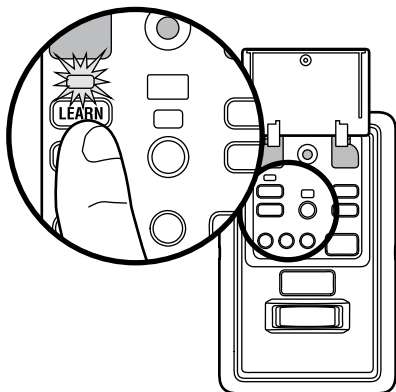


IMPORTANT: The remote will activate your garage door during programming. Ensure garage door is clear of ALL obstructions.

- 2** Press and hold bottom button on the remote control until the blue LED stays solid (approximately 15 seconds) then release the button.



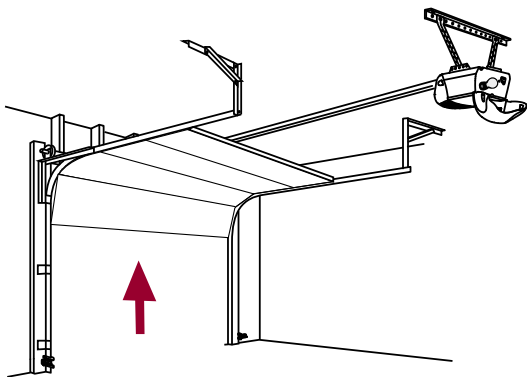
- 3** Press the control panel LEARN button twice, the red learn LED will turn on.



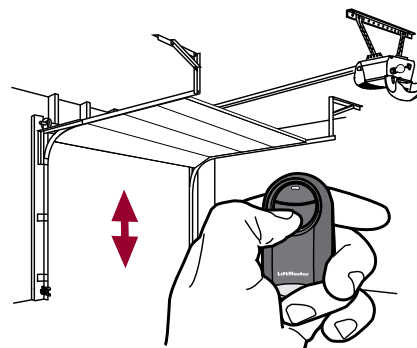
- 4** On the remote control, press and release the button that you would like to program twice. The blue LED will blink for up to 60 seconds.



- 5** Wait for the garage door to move, then press and release either of the buttons on the remote.



- 6** Test the remote control by pressing the button you programmed in step 4. If the garage door opener does not activate, repeat the programming steps.



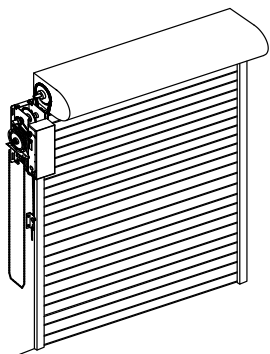
COMMERCIAL DOOR OPERATORS

Programming to a Commercial Door Operator with a RADIO Button

The RADIO button is typically located on the logic board of the operator or an external receiver. For help locating your RADIO button contact your commercial door operator manufacturer.

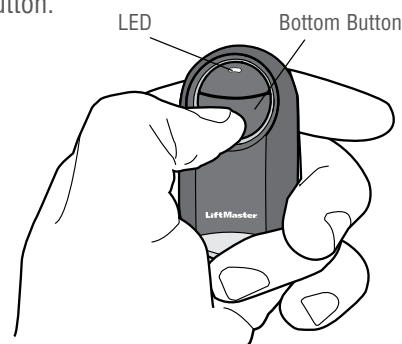
The images throughout this manual are for reference only and your product may look different.

- 1** Start with your commercial door closed.

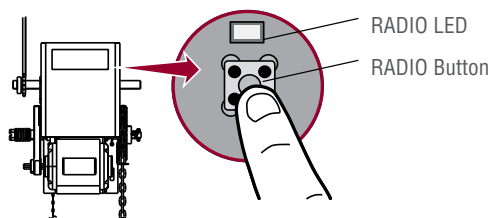


IMPORTANT: The remote will activate your commercial door during programming. Ensure door is clear of ALL obstructions.

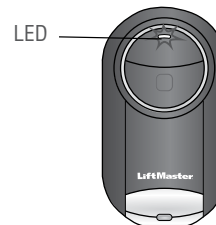
- 2** Press and hold bottom button on the remote control until the blue LED stays solid (approximately 15 seconds) then release the button.



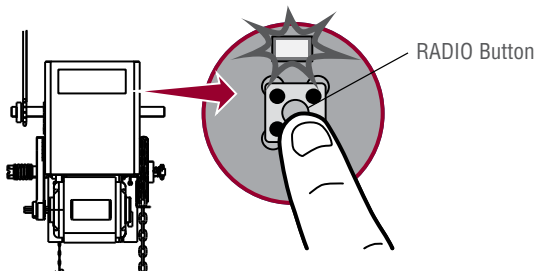
- 3** Press and release the RADIO button on your commercial door operator. The RADIO LED will illuminate.



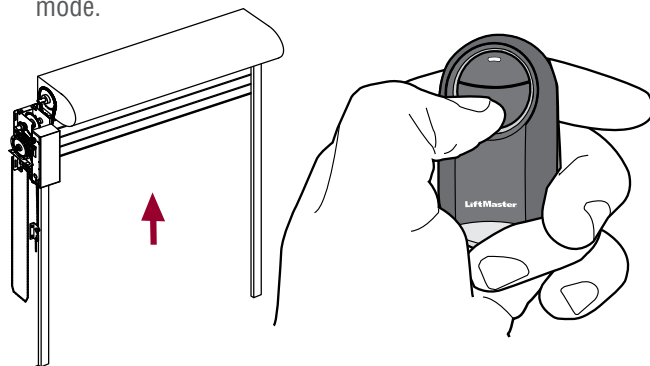
- 4** On the remote control, press and release the button that you would like to program twice. The blue LED will blink for up to 60 seconds.



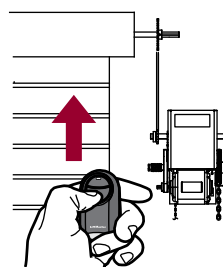
- 5** Wait to see if the LED on the operator flashes rapidly, indicating the remote control is programmed to the operator. Press and release the RADIO button on your commercial door operator to exit programming mode.



- 6** Wait for commercial door to move, then press and release either button on the remote control to exit programming mode.



- 7** Test the remote control by pressing the button you programmed in step 4. If the commercial door operator does not activate, repeat the programming steps.



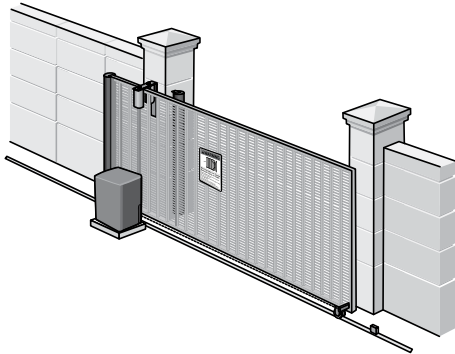
GATE OPERATORS

Programming to a Gate Operator with a Program/LEARN Button

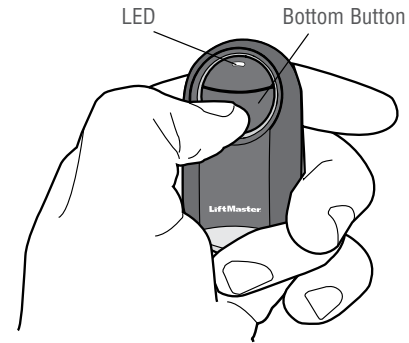
The Program/LEARN button is typically located on the control board of the operator or an external receiver. For help locating your Program/LEARN button contact your gate operator manufacturer.

The images throughout this manual are for reference only and your product may look different.

- 1** Start with your gate closed.

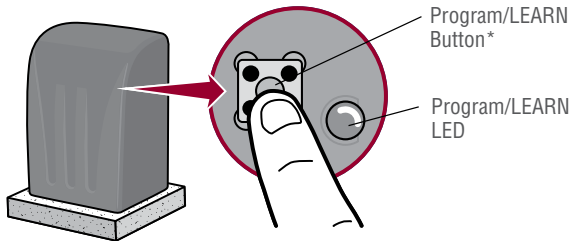


- 2** Press and hold bottom button on the remote control until the blue LED stays solid (approximately 15 seconds) then release the button.



IMPORTANT: The remote will activate your gate during programming. Ensure gate is clear of ALL obstructions.

- 3** Press and release the Program/LEARN button* on your gate operator. The Program/LEARN LED will illuminate.

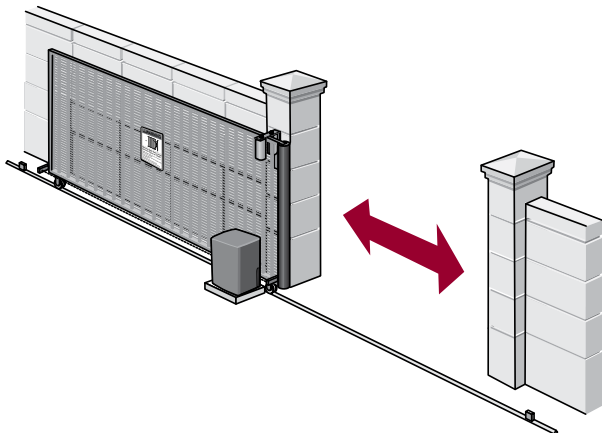


- 4** On the remote control, press and release the button that you would like to program twice. The blue LED will blink for up to 60 seconds.



* Depending on your product, the Program/LEARN button may have a different name (use the button for programming remote controls).

- 5** Wait for the gate to move or the program/LEARN LED on the gate operator blinks, then press and release either of the buttons on the remote.



- 6** Test the remote control by pressing the button you programmed in step 4. If the gate operator does not activate, repeat the programming steps.



EXTERNAL RECEIVERS

Programming to an External Receiver with a Program/LEARN Button

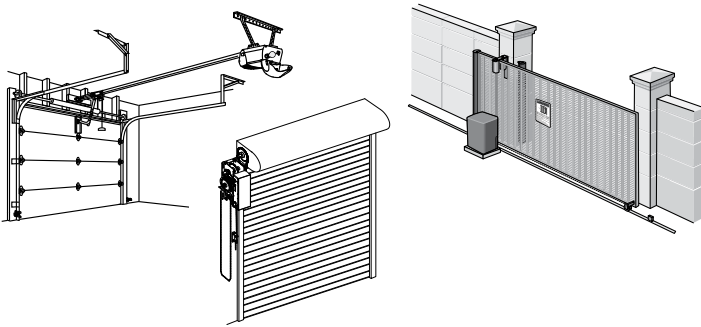


If using the Universal Mini Remote Control with residential door openers, the remote control must be used only with door openers manufactured after 1993 that utilize photoelectric sensors. The photoelectric sensors are always located on or near the bottom of the door track.

The external receiver is typically located on the product or mounted near the product.

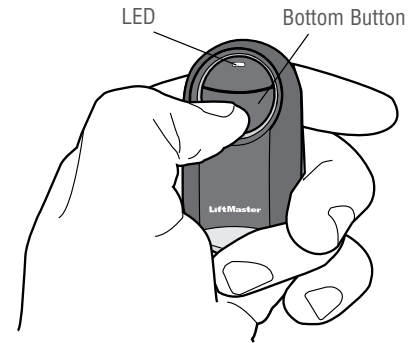
The images throughout this manual are for reference only and your product may look different.

- 1** Start with your garage door, commercial door, or gate closed.

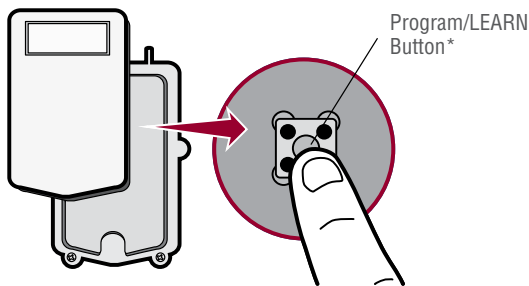


IMPORTANT: The remote will activate your door or gate during programming. Ensure door or gate is clear of ALL obstructions.

- 2** Press and hold bottom button on the remote control until the blue LED stays solid (approximately 15 seconds) then release the button.



- 3** Press and release the Program/LEARN button* on the external receiver.

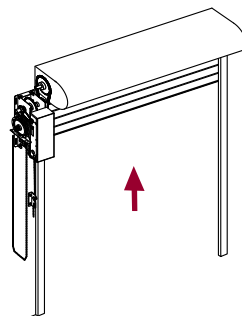
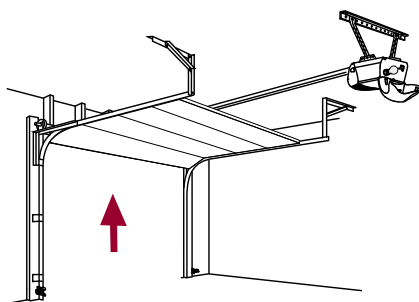


- 4** On the remote control, press and release the button that you would like to program twice. The blue LED will blink for up to 60 seconds.

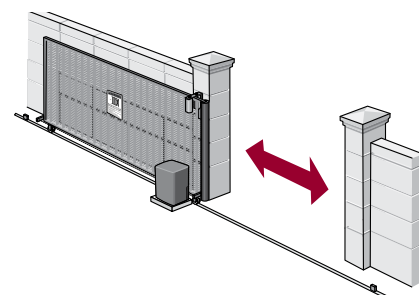


* Depending on your product, the Program/SMART/LEARN button may have a different name (use the button for programming remote controls).

- 5** Wait for the door or gate to move, then press and release either of the buttons on the remote.



- 6** Test the remote control by pressing the button you programmed in step 4. If the garage door opener, commercial door operator, or gate operator does not activate, repeat the programming steps.

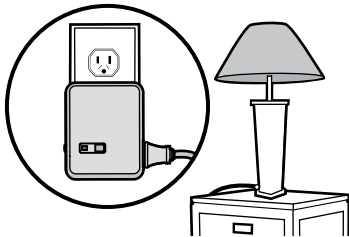


MYQ® LIGHT CONTROLS

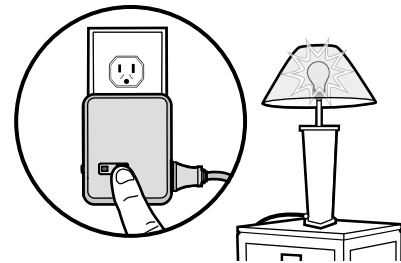
Programming to a MyQ® Light Control

The images throughout this manual are for reference only and your product may look different.

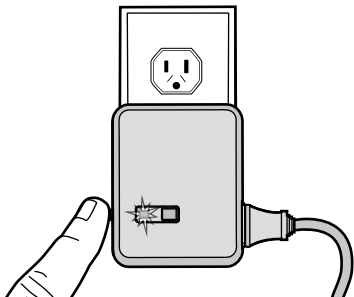
- 1** Plug the lamp into the module and plug the module into an electrical outlet (the LED on the module will flash). **NOTE:** Make sure the lamp is switched ON.



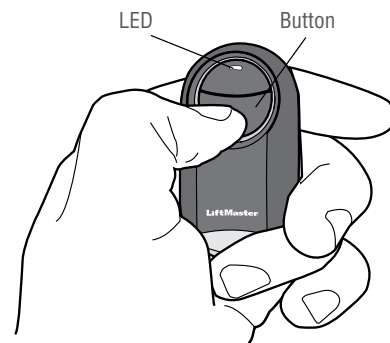
- 2** If the lamp is not ON, press and release the Power button on the module to turn the lamp ON.



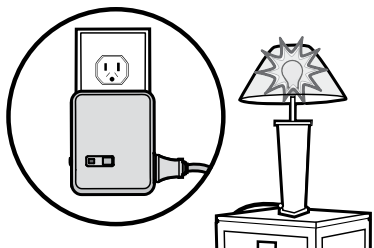
- 3** Press and release the LEARN button on the module (the LED on the module will light).



- 4** Press the button on the remote control.



- 5** The lamp's light bulb will blink and the LED on the module will turn OFF when the device has been programmed.



NEED HELP?

The remote control does not have good range.

- The range of the remote control may vary depending on various factors and environmental factors

The remote control will not program to a product with a Program/LEARN button.

- Check the battery in the remote control. The LED should light when you press a button. Replace the battery if necessary.

The remote control LED will not light or it is dim.

- Replace the battery.

The remote control LED does not activate the product until it is close to the product.

- Replace the battery.

BATTERY

⚠ WARNING

To prevent possible **SERIOUS INJURY** or **DEATH**:

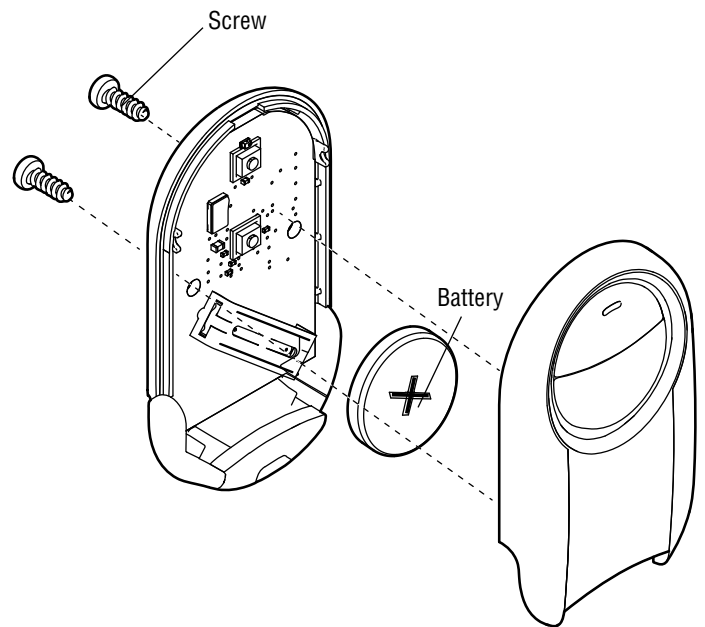
- NEVER allow small children near batteries.
- If battery is swallowed, immediately notify doctor.

To reduce risk of fire, explosion or chemical burn:

- Replace **ONLY** with 3V CR2032 coin batteries.
- **DO NOT** recharge, disassemble, heat above 212°F (100°C) or incinerate.

NOTICE: To comply with FCC and or Industry Canada (IC) rules, adjustment or modifications of this receiver and/or transmitter are prohibited, except for changing the code setting or replacing the battery. THERE ARE NO OTHER USER SERVICEABLE PARTS.

Tested to Comply with FCC Standards FOR HOME OR OFFICE USE. Operation is subject to the following two conditions: (1) this device may not cause harmful interference, and (2) this device must accept any interference received, including interference that may cause undesired operation.



Dispose of batteries properly. Replace **ONLY** with 3V CR2032 coin batteries.

HOW TO ORDER REPAIR PARTS

DEVANCO CANADA

19192 HAY ROAD, UNIT Q
SUMMERSTOWN, ON K0C 2E0

TOLL FREE: 855-931-3334
www.devancocanada.com

**WHEN ORDERING REPAIR PARTS
PLEASE SUPPLY THE FOLLOWING INFORMATION:**

- ✓ **PART NUMBER**
- ✓ **DESCRIPTION**
- ✓ **MODEL NUMBER**

Chamberlain and LiftMaster are Trademarks of Chamberlain Group. Genie is a Trademark of Overhead Door Corporation. Overhead Door is a Trademark of Overhead Door Corporation. Linear is a Trademark of Linear Corporation. Master Mechanic is a Trademark of TruServ. Sears is a Trademark of Sears & Roebuck. Stanley is a Trademark of The Stanley Works. Wayne Dalton is a trademark of Wayne Dalton Corporation. Do It is a trademark of Do It Best Corporation.