

Power Plug Radio Control (Impulse Output)

GB

Instructions for model: RCP02-3101M (315 MHz), RCP02-6001M (916,5 MHz)

FEATURES

The RCP 02 power plug radio control receives radio telegrams from "programmed" radio transmitters and via the impulse output generates an impulse (1 second) with which an electrical device (e.g. a garage door opener) can be triggered.

Available in addition is a mains output which is not switched.

1. Technical Data

Power supply:	120 V AC / 60 Hz
Current consumption:	approx. 42 mA
Frequency / modulation:	315 MHz / ASK
Operating temperature:	-4°F to +140°F (-20°C to +60°C)
Reception coverage:	under free-field conditions: approx. 110 yd in buildings: approx. 35 yd

Impulse output:

Output:	relay contact, NO
Max. load (low voltage):	1 A / 24 V DC, Class 2

Mains output:

Max. load:	10 A / 120 V AC
------------	-----------------

2. Intended Use

The RCP02 power plug radio control is intended for indoor usage only and only as a radio control system together with mains-powered or low-voltage devices!

The manufacturer does not assume any liability for damage caused as a result of improper or non-intended use!

3. Safety Advice

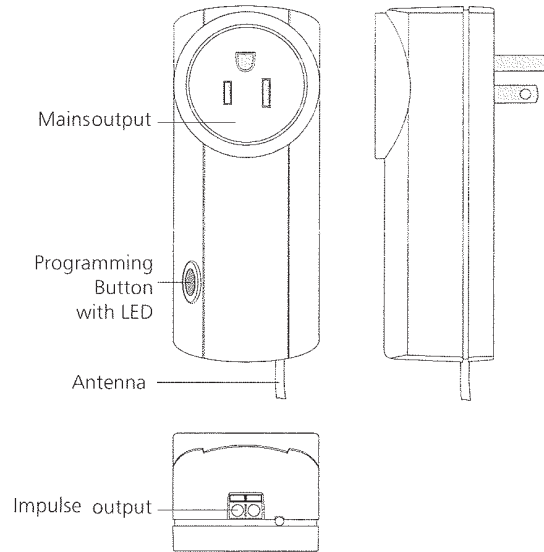
- Carefully read through these instructions before connecting and operating the unit!
- Observe the applicable laws, standards and regulations as well as the manufacturer's instructions for the devices to be operated!
- Have faulty units checked by the manufacturer!
- Do not open the unit casing!
- Do not make any unauthorized alterations or modifications to the unit!



4. Installation Advice

- When selecting an electric socket, make sure that the radio transmission between the transmitter and radio control is unobstructed. Brick walls and other insulating materials reduce the range of the radio transmission.
- Avoid installing near large metal surfaces or close to the ground. If installation near metal surfaces cannot be avoided, maintain a distance of at least 4 inch.
- Do not make any modifications to the antenna. Extending or shortening the antenna can significantly impair the reception quality.

Figure 1. Power Plug Radio Control (Impulse)



5. Start-Up

- Plug the unit into an electrical outlet.
- Only for mains-powered devices: via the mains plug connect the device to be switched (e.g. garage door opener) to the mains output of the power plug radio control.

Note: You can also use the mains output of the power plug radio control as an electrical outlet for other mains-powered devices.

- Connect the impulse output of the power plug radio control to the external switch on the device to be switched. Observe the operating instructions of the device being used!
- Transfer the coding of the transmitter channel buttons to the power plug radio control (see section "Memorizing the Transmitter Code").

6. Memorizing the Transmitter Code

- Briefly press the programming button. The programming mode is activated. The LED flashes.
- Press the transmitter button. If the radio control system has memorized the code, the LED lights up for approx. 4 seconds.
- Wait until the LED goes out before operating the device which is connected to the impulse output.

Note: If you memorize a new transmitter code, the previously memorized transmitter code is overwritten.

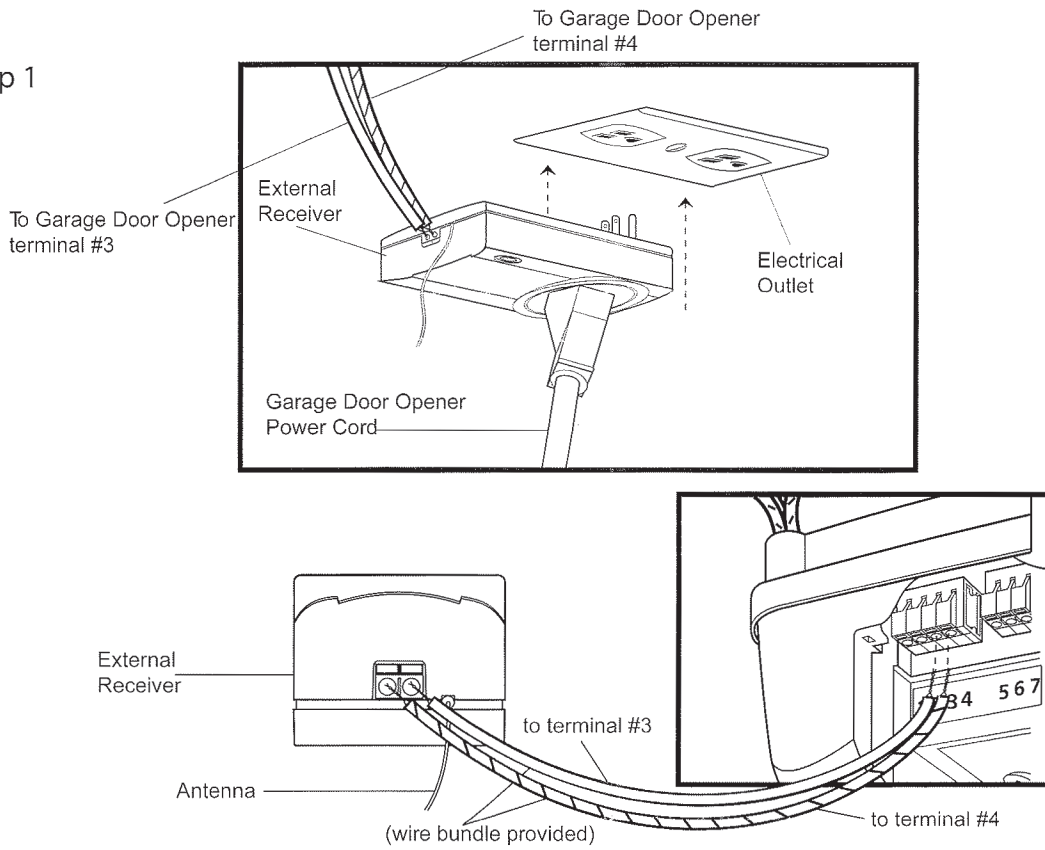
FCC Certified: This device complies with Part 15 of the FCC rules. Operation is subject to the following two conditions: (1) this device may not cause harmful interference, and (2) this device must accept any interference received, including interference that may cause undesired operation. Changes or modifications not expressly approved by the party responsible for compliance could void the user's authority to operate the equipment.

CANADA: Operation is subject to the following two conditions: (1) this device may not cause interference, and (2) this device must accept any interference, including interference that may cause undesired operation of the device.

For more information, please visit www.devancocanada.com or call toll free at 855-931-3334

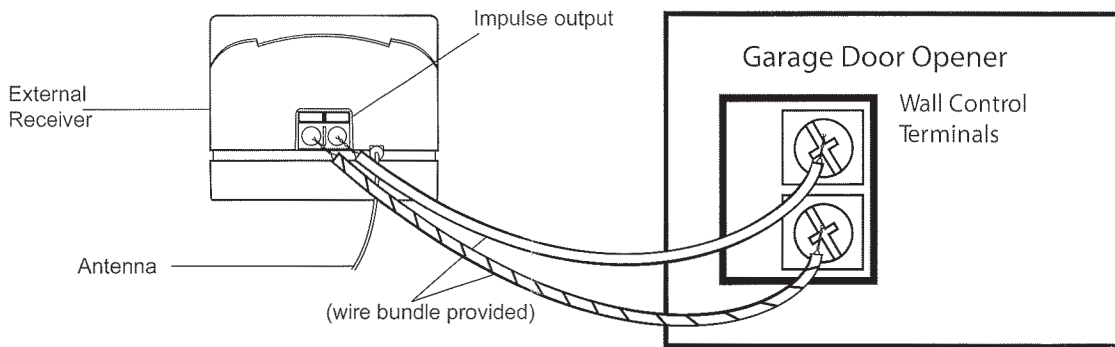
Hook Up Diagram

Step 1

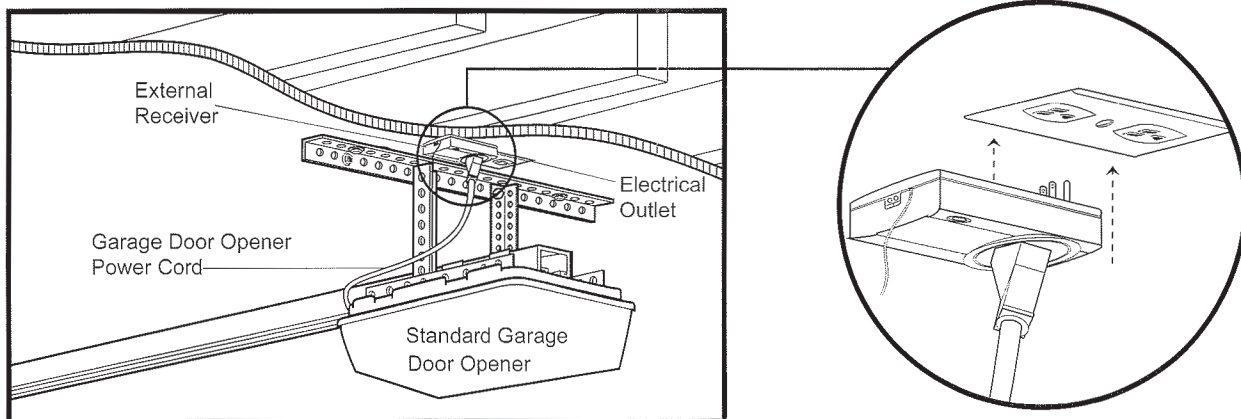


Standard Garage Door Opener

Step 1



Step 2



***HOW TO ORDER
REPAIR PARTS***

DEVANCO CANADA

19192 HAY ROAD, UNIT Q
SUMMERSTOWN, ON K0C 2E0

TOLL FREE: 855-931-3334

www.devancocanada.com

**WHEN ORDERING REPAIR PARTS
PLEASE SUPPLY THE
FOLLOWING INFORMATION:**

- ✓ PART NUMBER**
- ✓ DESCRIPTION**
- ✓ MODEL NUMBER**