

Band Brake Maintenance

Instructions for BRAKE011/013 (BRAKEPART019)

Band Brake Maintenance

WARNING

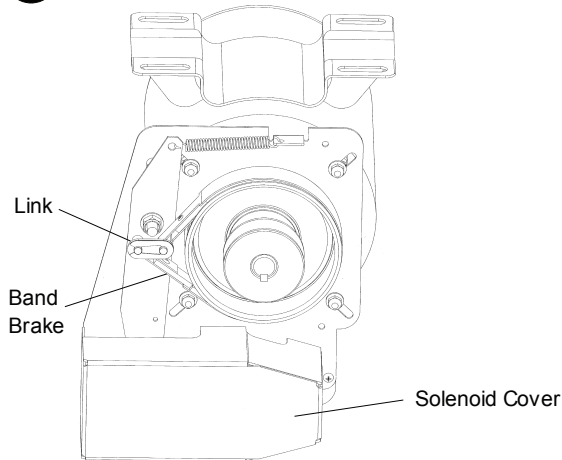
To reduce the risk of SEVERE INJURY or DEATH to persons:

- Be sure that the main power is OFF before performing any changes on the operator.

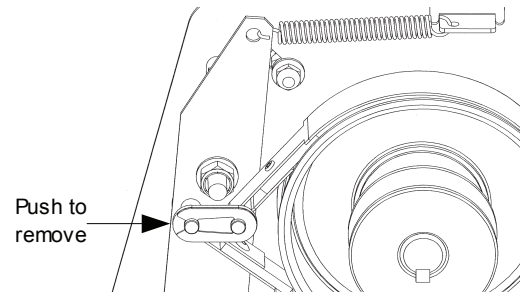
Changing a Brake Band

The brake band is preformed at the factory. Please insert the brake band carefully around the brake drum.

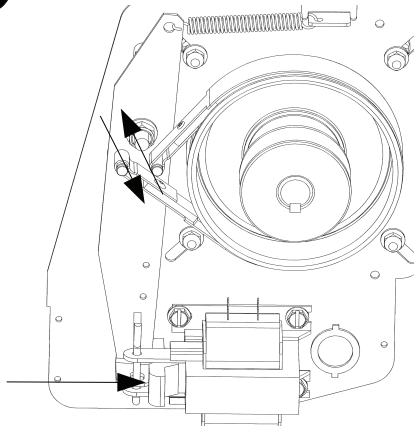
1 Remove solenoid cover



2 Remove link and used band brake

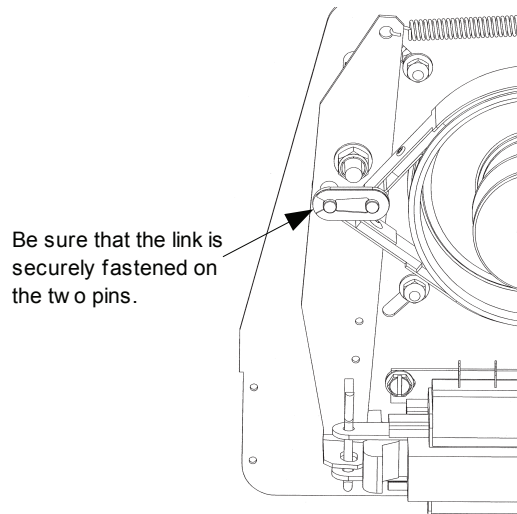


3 Replace band brake



Push solenoid plunger to reduce tension when removing or installing the band brake.

4 Place the link



5 See brake adjustment on next page

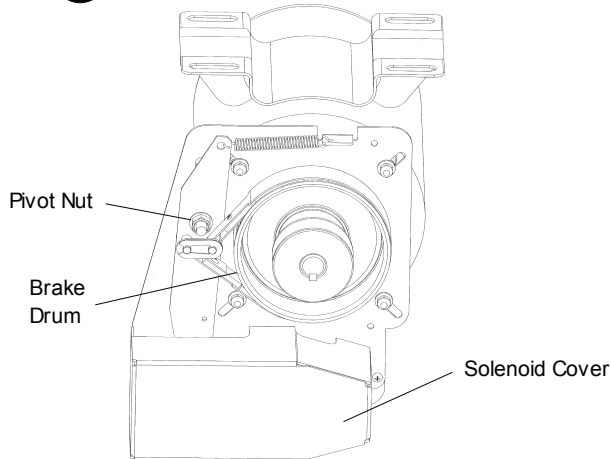
Band Brake Maintenance

Instructions for BRAKE011/013 (BRAKEPART019)

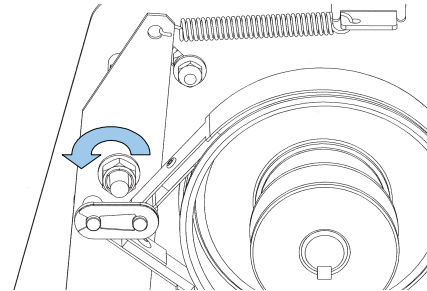
Band Brake Adjustment

The brake is factory set, however, after extensive use the brake may need to be adjusted.

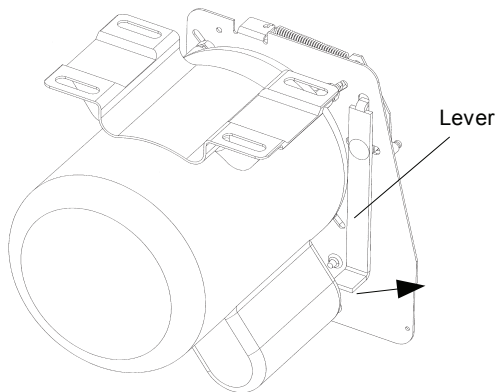
- 1 Remove solenoid cover



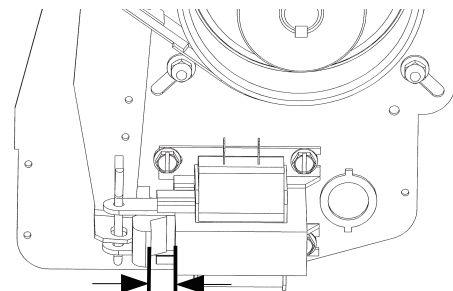
- 2 Loosen pivot nut



- 3 Adjust solenoid gap

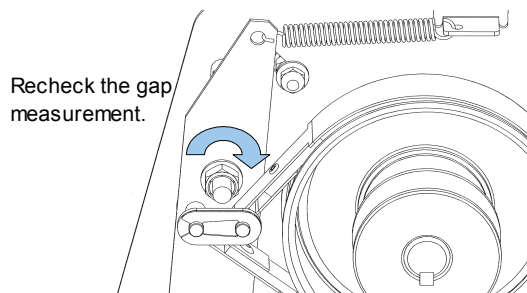


Pull the lever to adjust the gap between the plunger and solenoid body.



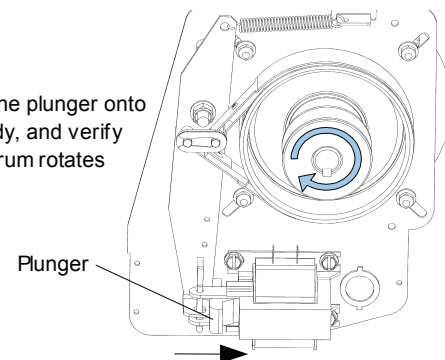
Gap must be between 1/4" and 3/8".

- 4 Tighten pivot nut



- 5 Check brake adjustment

Manually push the plunger onto the solenoid body, and verify that the brake drum rotates easily by hand.



- 6 Re-install solenoid cover

***HOW TO ORDER
REPAIR PARTS***

DEVANCO CANADA

19192 HAY ROAD, UNIT Q
SUMMERSTOWN, ON K0C 2E0

TOLL FREE: 855-931-3334

www.devancocanada.com

**WHEN ORDERING REPAIR PARTS
PLEASE SUPPLY THE
FOLLOWING INFORMATION:**

- ✓ PART NUMBER**
- ✓ DESCRIPTION**
- ✓ MODEL NUMBER**