

**Output Shaft Assembly Service Kit for
H, J & HJ Line Operators**



WARNING

DISCONNECT POWER AT THE FUSE BOX BEFORE PROCEEDING. IF NECESSARY REMOVE THE OPERATOR FROM ITS MOUNTED POSITION.

NOTE: Rotation of shaft in frame is dependent on handing, Right hand HJ operator is shown, for left hand shaft will be reversed 180 degrees.

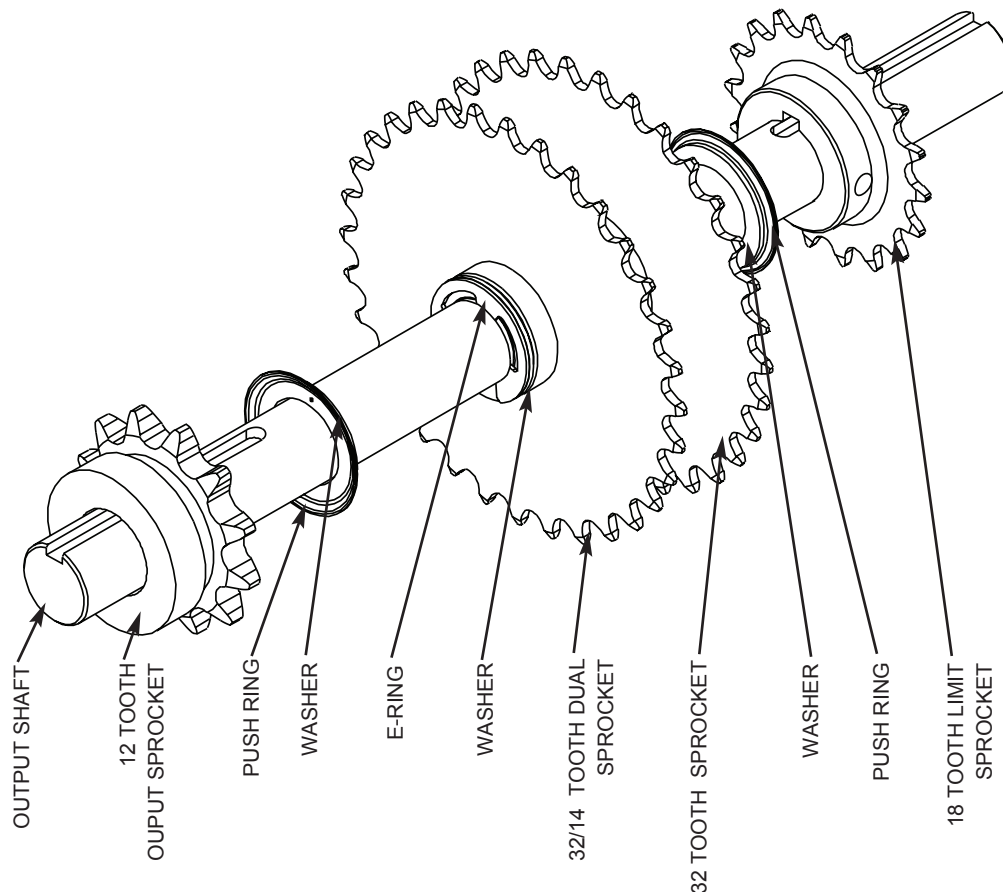
REMOVE EXISTING SHAFT:

1. Remove the Master Links from the Limit and Output Chains. Remove the Chains and set them aside.
2. Disconnect and remove the (3) Interior Chains connecting the Clutch and Output Shafts and set them aside.
3. Remove the Shaft assembly, including Bearings and discard.

INSTALLING NEW OUTPUT SHAFT:

1. Press the new Bearings into the Motor Frame.
2. Slide shaft into Frame stacking components in the following order:
 - a) Washer
 - b) Dual Sprocket
 - c) 32 Tooth Sprocket
3. Once components are positioned on the Shaft, slide Shaft through the other side of the Frame.
4. Pin the Output Sprocket to Shaft with Roll Pin and insert E-Ring to hold all parts together.
5. Align the (3) Interior Sprockets by re-attaching the (3) lengths of Chain connecting the Clutch and Output Shafts.
6. Slide on the Washer and (2) Push Rings on both sides of the Output Shaft to hold it in place.
7. Install Output and Limit Shaft Sprocket on end of Shaft.
8. Replace the Limit Chain and the Drive Belt. Restoring power completes the installation.

MODEL HJ OUTPUT SHAFT (RIGHT HAND)



***HOW TO ORDER
REPAIR PARTS***

DEVANCO CANADA

19192 HAY ROAD, UNIT Q
SUMMERSTOWN, ON K0C 2E0

TOLL FREE: 855-931-3334

www.devancocanada.com

**WHEN ORDERING REPAIR PARTS
PLEASE SUPPLY THE
FOLLOWING INFORMATION:**

- ✓ PART NUMBER
- ✓ DESCRIPTION
- ✓ MODEL NUMBER