

APPLICATION REQUIREMENTS:

Replacement of Limit Switch and/or its components for a Model LGO Operator.

INSTALLATION INSTRUCTIONS

NOTE: Refer to the Owner's Manual supplied with the operator for all mounting and wiring instructions.

REMOVE EXISTING LIMIT SWITCH ASSEMBLY:

Disconnect the wire connections to the limit switches. Remove the six screws from the nut plates. Remove the limit switches, internal grip washers and standoffs from the electrical box and discard.

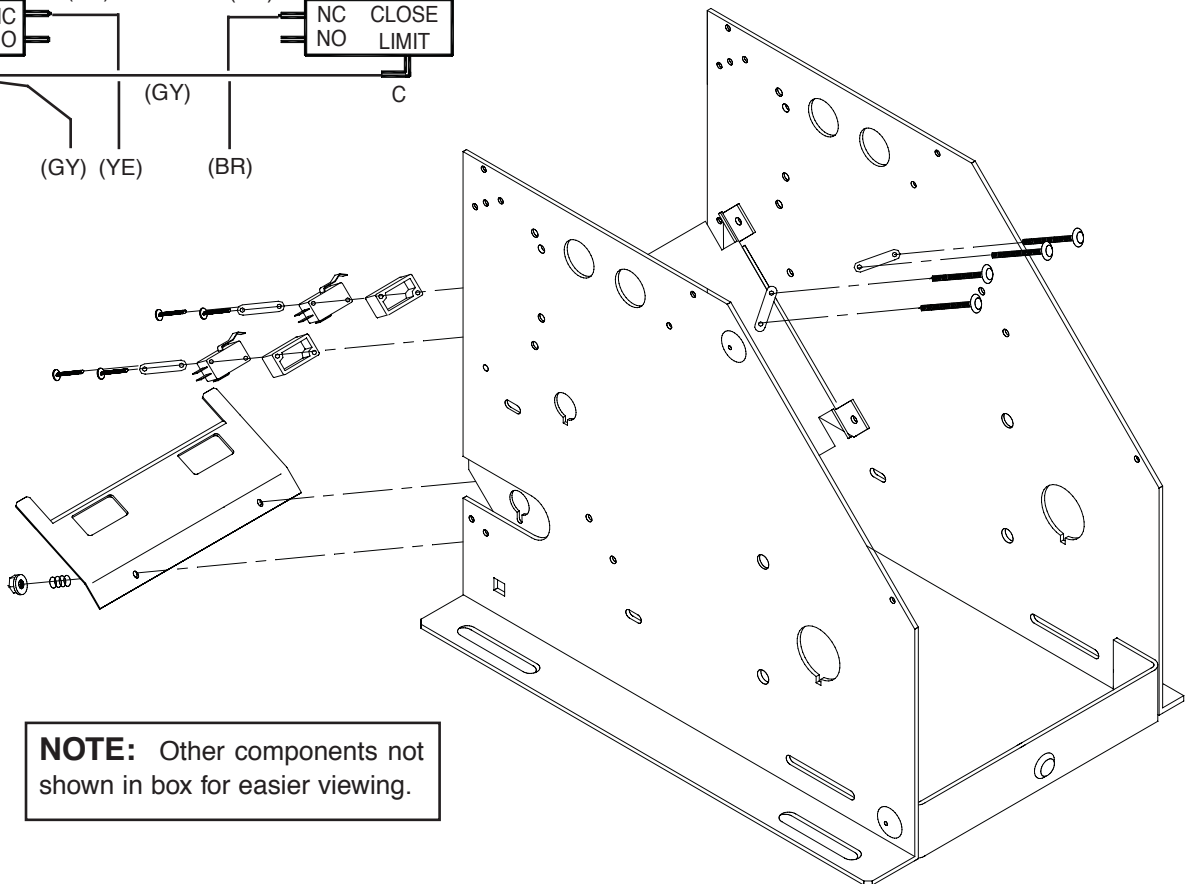
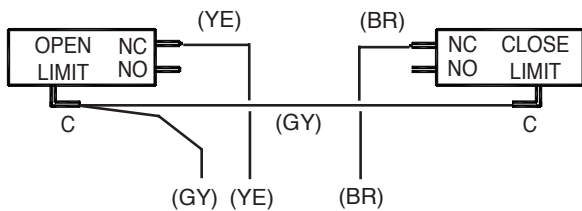
Remove the two 1" screws from the locknuts. Remove the depress plate and depress plate springs and discard.

INSTALLING NEW LIMIT ASSEMBLY:

To install the new limit assembly, follow the steps outlined above in the reverse order. Reconnect the wires to the new limit switches.

WIRE CONNECTIONS

Refer to the illustration below and for complete wiring diagram see reverse side.



NOTE: Other components not shown in box for easier viewing.

WARNING

DISCONNECT POWER AT THE FUSE BOX BEFORE PROCEEDING. IF NECESSARY REMOVE THE OPERATOR FROM ITS MOUNTED POSITION.

OPERATOR MUST BE PROPERLY GROUNDED AND CONNECTED IN ACCORDANCE WITH LOCAL ELECTRICAL CODES. NOTE: THE OPERATOR SHOULD BE ON A SEPARATE FUSED LINE OF ADEQUATE CAPACITY.

ALL ELECTRICAL CONNECTIONS MUST BE MADE BY A QUALIFIED INDIVIDUAL.

***HOW TO ORDER
REPAIR PARTS***

DEVANCO CANADA

19192 HAY ROAD, UNIT Q
SUMMERSTOWN, ON K0C 2E0

TOLL FREE: 855-931-3334

www.devancocanada.com

**WHEN ORDERING REPAIR PARTS
PLEASE SUPPLY THE
FOLLOWING INFORMATION:**

- ✓ PART NUMBER
- ✓ DESCRIPTION
- ✓ MODEL NUMBER