

 **GAPOSA**
HOME-TECH IN PROGRESS

SAFETY BRAKES

For more information, please visit www.devancocanada.com or call toll free at 855-931-3334

SAFETY BRAKES

The safety brake is a safety device for rolling shutters without springs performing two functions:

- A bearing support for the shutter's shaft;
- A mechanical brake blocking the descent of the shutter if sudden acceleration occurs.

It is made up of antioxiding materials, consists of a central body with a hollow shaft and is supported by a floating metal base preventing any tube eccentricity. The **GAPOSA** safety brakes are equipped with a patented shock-absorber system and a microswitch for disconnecting the electrical supply to the motor when the brake locks.

MODELS

- | | |
|---|--|
| • M1A/H Nominal torque: 708 Lbf.In | • M10A Nominal torque: 8851 Lbf.In |
| • M2A Nominal torque: 1212 Lbf.In | • M15A Nominal torque: 13727 Lbf.In |
| • M3A Nominal torque: 2283 Lbf.In | • M20A Nominal torque: 19083 Lbf.In |
| • M4A Nominal torque: 3576 Lbf.In | • M30A Nominal torque: 27517 Lbf.In |
| • M7A Nominal torque: 6266 Lbf.In | |

IN ORDER TO SELECT THE MOST SUITABLE MODEL FOR THE BEST APPLICATION, A GOOD UNDERSTANDING OF THE SAFETY BRAKE DATA IS ESSENTIAL:

NOMINAL TORQUE

Is the reference value to select the most appropriate safety brake according the weight of the shutter and the diameter of the tube.

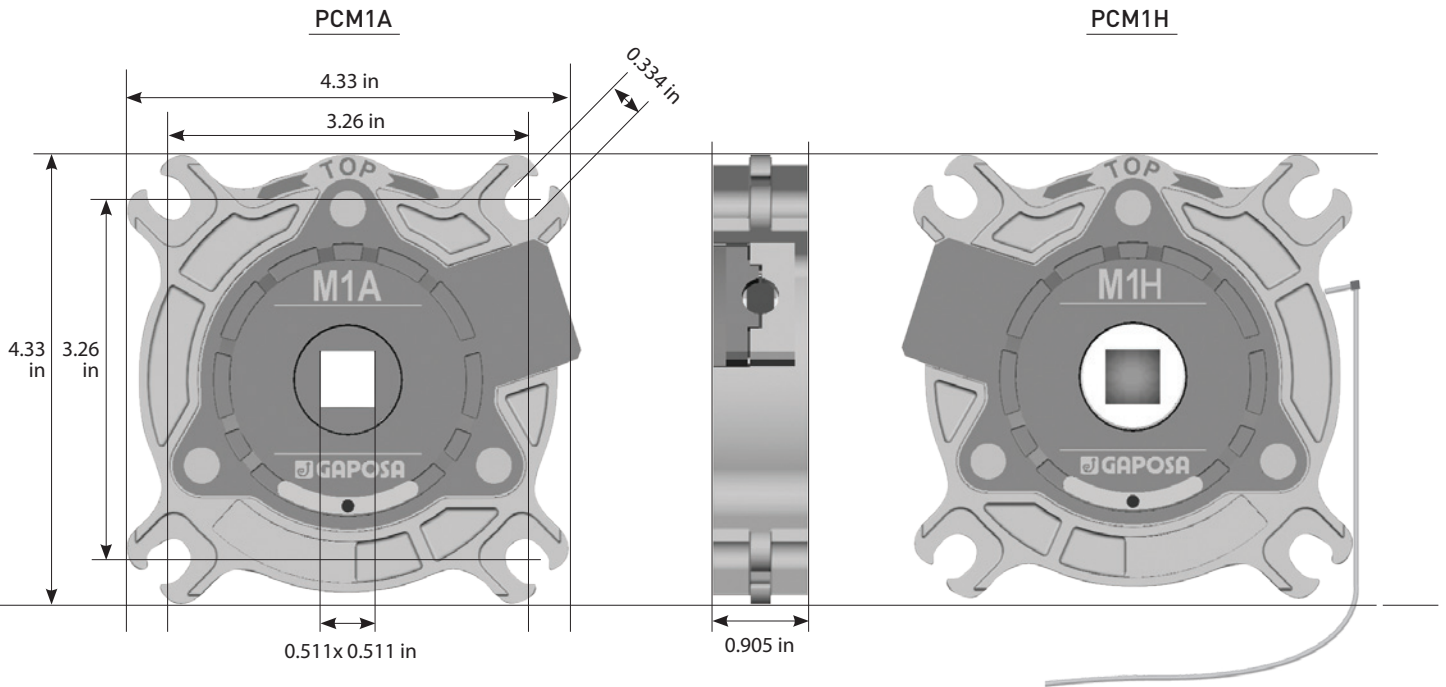
LOCKING TORQUE

It is the maximum stress to which the safety brake is subjected when it stops the rotation of the shaft.

WORKING SPEED

It refers to the number of revolutions at which the safety brake works as a simple support without functioning as a safety device. A speed of the shutter tube speed has to be within this value.

SAFETY BRAKE FOR GARAGE DOORS, COMMERCIAL SHUTTERS, INDUSTRIAL AND COMMERCIAL DOORS.



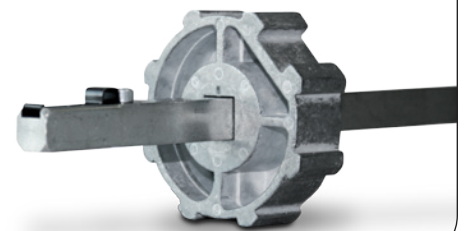
The first Safety Brake with symmetrical surfaces for installation without conditions.

Symmetrical surfaces  Bidirectional locking system



An extremely useful accessory to complete the safety brake installation is the adjustable idler with spring retainer.

Screws or complicated systems are no longer necessary to secure the idler shaft with the safety brake or bearing. The spring retainer can hold as much as 330 Lbs.



TECHNICAL DETAILS	PCM1A/H
NOMINAL TORQUE (Lbf.In)	708
LOCKING TORQUE (Lbf.In)	5071
WORKING SPEED (Min ⁻¹)	22
SCREW TIGHTENING TORQUE (Lbf.In)	34
WEIGHT (Lbs)	0.85

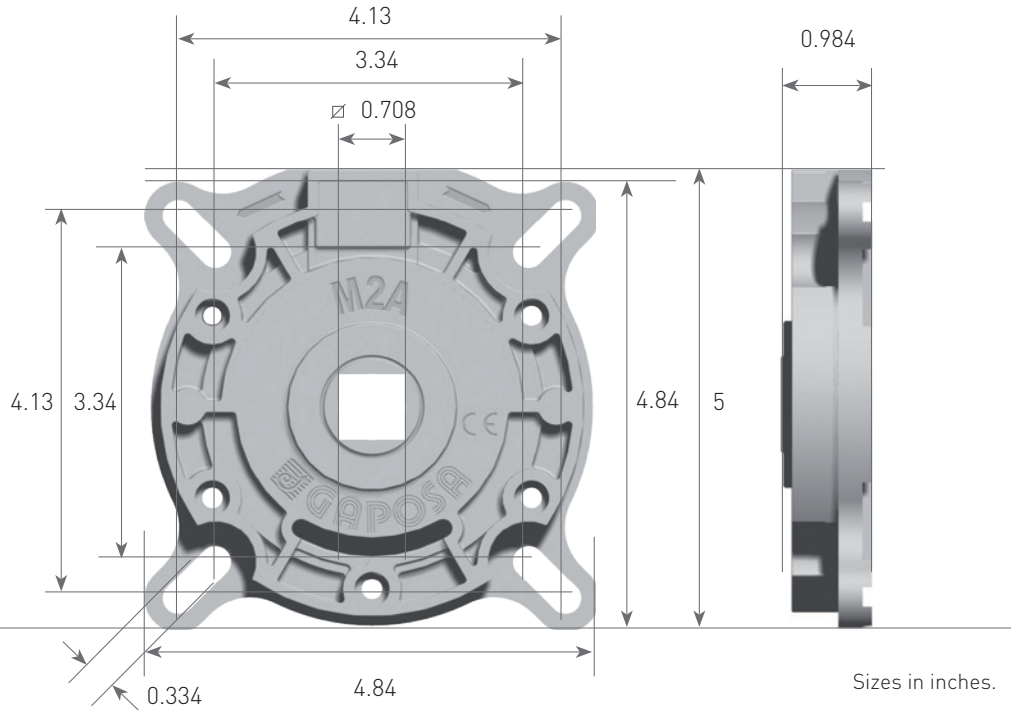
SAFETY BRAKE FOR GARAGE DOORS AND COMMERCIAL SHUTTERS.



Bidirectional locking system.

FEATURES:

- Locking system in both directions;
- Back frame of the integrated bracket to suit the traditional end cap profile;
- O-ring: to protect the internal parts of the brake from atmospheric agents.



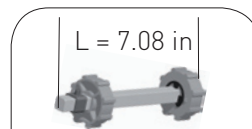
Sizes in inches.

SELECTION TABLE

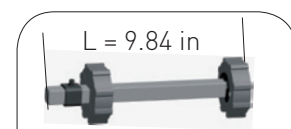
Ø TUBE (in)	Max shutter weight (Lbs)
2.75	374.77
3.26	330.68
3.5	456.34
3.85	436.50
4	429.89
4.25	418.87
4.92	381.39

TECHNICAL DETAILS	PCM2A
NOMINAL TORQUE (Lbf.In)	1212
LOCKING TORQUE (Lbf.In)	4451
WORKING SPEED (Min ⁻¹)	20
SCREW TIGHTENING TORQUE (Lbf.In)	34
WEIGHT (Lbs)	2.2

ADJUSTABLE CAPS



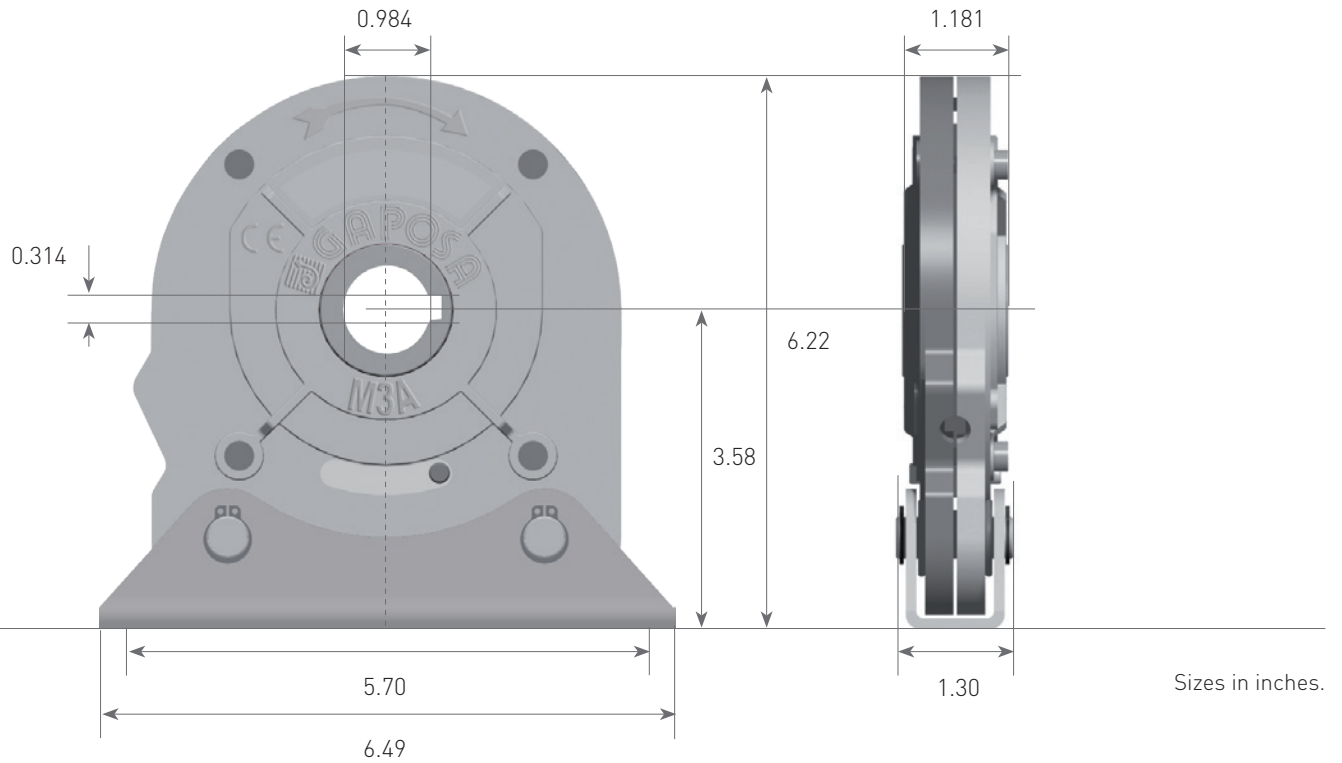
AXC5725	For octagonal 2.75 in tube 0.708x0.708 in square shaft
AXCZF6425*	For ZF64 in tube 0.708x0.708 in square shaft
AXCZF8025	For ZF80 in tube 0.708x0.708 in square shaft
AXCR7025	For round 2.75 in tube 0.708x0.708 in square shaft
AXCD58925	For Deprat 3.5 in tube 0.708x0.708 in square shaft
AXCR10125	For round 4x0.141 in tube 0.708x0.708 in square shaft
AXCR101225	For round 4x0.078 in tube 0.708x0.708 in square shaft



AXC57	For octagonal 2.75 in tube 0.708x0.708 in square shaft
AXCZF64*	For tube ZF64 in 0.708x0.708 in square shaft
AXCZF80	For ZF80 in tube 0.708x0.708 in square shaft
AXCR70	For round 70 in tube 0.708x0.708 in square shaft
AXCD589	For Deprat 89 in tube 0.708x0.708 in square shaft
AXCR101	For round 4x0.141 in tube 0.708x0.708 in square shaft
AXCR1012	For round 4x0.078 in tube 0.708x0.708 in square shaft

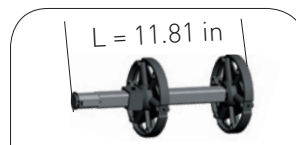
* Attention! Max motor torque 347 Lbf.In.

SAFETY BRAKE FOR GARAGE DOORS, COMMERCIAL SHUTTERS, INDUSTRIAL AND COMMERCIAL DOORS.



Sizes in inches.

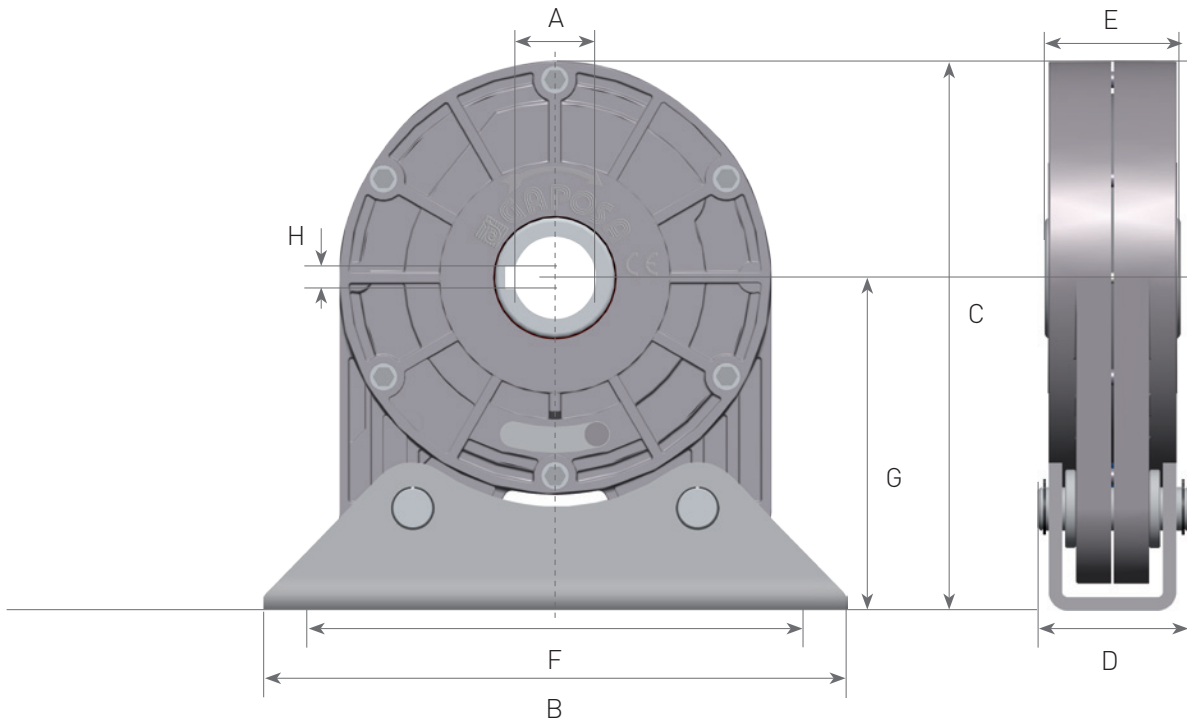
ADJUSTABLE CAPS



TECHNICAL DETAILS	PCM3A
NOMINAL TORQUE (Lbf.In)	2238
LOCKING TORQUE (Lbf.In)	8656
WORKING SPEED (Min ⁻¹)	16
SCREW TIGHTENING TORQUE (Lbf.In)	36
WEIGHT (Lbs)	4.6

AXCR3101	For round 4x0.141 in tube 0.984x0.984 in square shaft
AXCR310120	For round 4x0.078 in tube 0.984x0.984 in square shaft
AXCR3133	For round 5.25x0.098 in tube 0.984x0.984 in square shaft
AXCR31334	For round 5.25x0.157 in tube 0.984x0.984 in square shaft
AXCR3159	For round 6.28x0.177 in tube 0.984x0.984 in square shaft
AXCR3168	For round 6.61x0.177 in tube 0.984x0.984 in square shaft
AXCR316828	For round 6.61x0.114 in tube 0.984x0.984 in square shaft

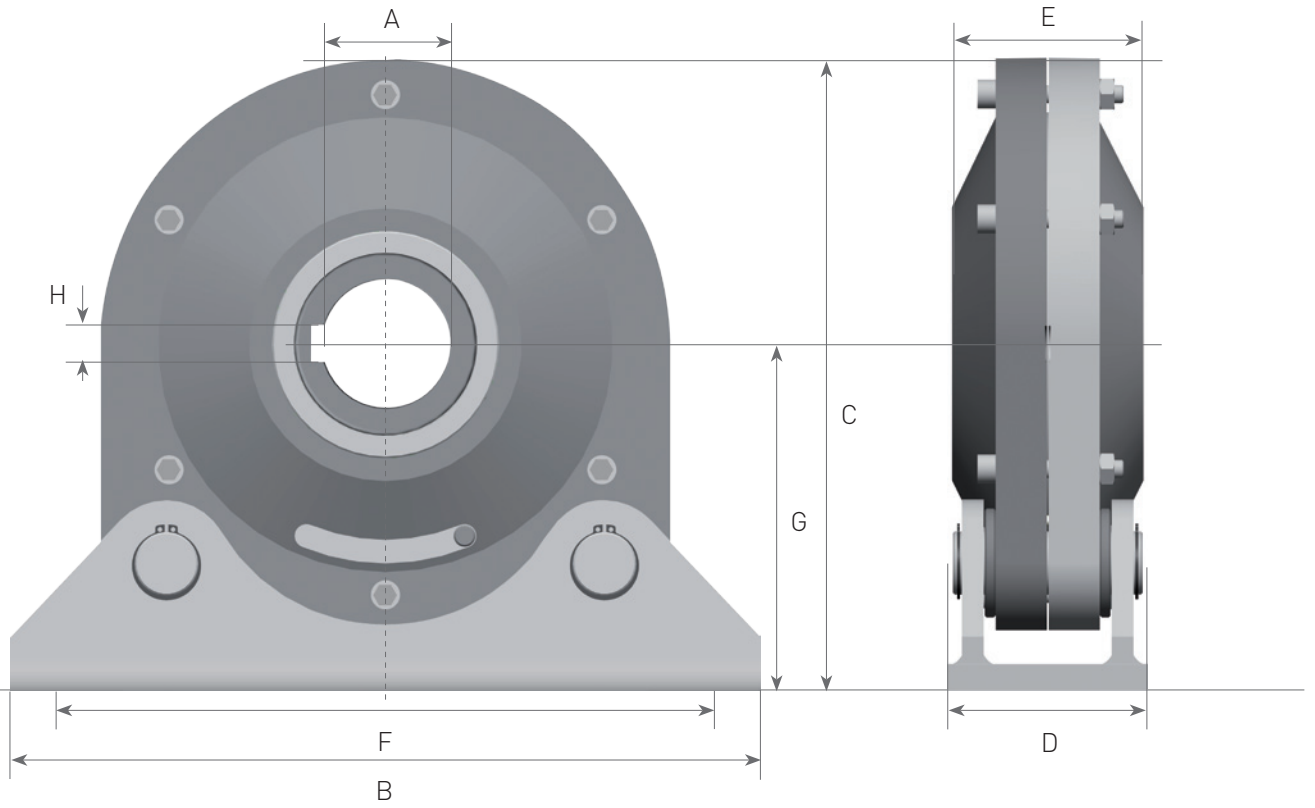
SAFETY BRAKE FOR INDUSTRIAL AND COMMERCIAL DOORS.



TECHNICAL DETAILS	PCM4A	PCM7A	PCM10A
NOMINAL TORQUE (Lbf.In)	3576	6266	8851
LOCKING TORQUE (Lbf.In)	17516	29199	31509
WORKING SPEED (Min ⁻¹)	14	12	12
SCREW TIGHTENING TORQUE (Lbf.In)	44	53	71
WEIGHT (Lbs)	10.4	22	27.6

	PCM4A	PCM7A	PCM10A
SEGMENT	LENGTH (inches)		
A	1¼"	1½"	1½"
B	8.50	10.55	11.02
C	7.95	10.04	10.24
D	2.09	2.09	2.75
E	1.97	2.16	2.24
F	7.32	9.45	9.45
G	4.85	5.94	6.14
H	¼"	⅜"	⅜"

SAFETY BRAKE FOR INDUSTRIAL AND COMMERCIAL DOORS.



TECHNICAL DETAILS	PCM15A	PCM20A	PCM30A
NOMINAL TORQUE (Lbf.In)	13727	19083	27517
LOCKING TORQUE (Lbf.In)	78258	-	161800
WORKING SPEED (Min ⁻¹)	12	12	8
SCREW TIGHTENING TORQUE (Lbf.In)	106	-	266
WEIGHT (Lbs)	43	44	99.2

	PCM15A	PCM20A	PCM30A
SEGMENT	LENGTH (inches)		
A	2''	2.5	2 ³ / ₄ ''
B	12.60	13.60	16.34
C	10.43	11.42	13.70
D	2.79	3.12	3.54
E	2.24	2.45	3.58
F	11.42	12.54	14.37
G	5.51	6.03	7.52
H	0.71	0.71	0.87

SAFETY BRAKES

SELECTION TABLE

The following table will help you select the right safety brake according to the weight and sizes of the shutter and the tube diameter.

TUBE OD	curtain dimension (feet)	M3A			M4A			M7A			M10A			M15A	M30A	
		Rolling curtain maximum weight (lbs)														
	width	10	16	23	10	16	23	10	16	23	10	16	23			
3.5"	height	10	628	364	247											
		16	628	364	247											
		23	628	364	247											
4"	height	10	793	540	368											
		16	688	540	368											
		23	615	540	368											
4.25"	height	10	694	615	421											
		16	674	615	421											
		23	606	606	421											
5.25"	height	10	692	692	472	1087	761									
		16	626	624	624	937	761									
		23	571	571	569	827	761									
6.625"	height	10	588	586	584	908	900	851								
		16	555	553	551	822	814	803								
		23	518	518	516	745	734	728								
7.625"	height	10				794	778	765	1122	1113	1000	1814	1799	1784		
		16				741	725	712	1085	1047	1036	1673	1660	1645		
		23				681	668	655	979	970	959	1526	1515	1501		
8.625"	height	10							983	968	954	1590	1568	1545		
		16							955	939	924	1512	1490	1471	2246	
		23							900	886	873	1404	1387	1365		
9.625"	height	10							869	847	827	1393	1361	1663		
		16							858	838	818	1358	1326	1301	2359	5071
		23							822	803	783	1281	1257	1228		
10.512"	height	10							778	750	723	1243	1206	1166		
		16							774	747	721	1228	1191	1151	2161	4630
		23							752	725	701	1175	1140	1102		
11.75"	height	10										1071	1025	977		
		16										1067	1021	972	1940	4145
		23										1041	994	948		
12.75"	height	10														
		16										941	880	816	1786	3814
		23										928	866	805		
14.0"														1609	3472	
16.0"														1316	3047	
18.0"															2705	
20.0"															2425	

NOTES

A series of horizontal dotted lines for writing notes.

***HOW TO ORDER
REPAIR PARTS***

DEVANCO CANADA

19192 HAY ROAD, UNIT Q
SUMMERSTOWN, ON K0C 2E0

TOLL FREE: 855-931-3334

www.devancocanada.com

**WHEN ORDERING REPAIR PARTS
PLEASE SUPPLY THE
FOLLOWING INFORMATION:**

- ✓ PART NUMBER
- ✓ DESCRIPTION
- ✓ MODEL NUMBER