

HOW TO ORDER REPAIR PARTS

DEVANCO CANADA

19192 HAY ROAD, UNIT Q
SUMMERSTOWN, ON K0C 2E0

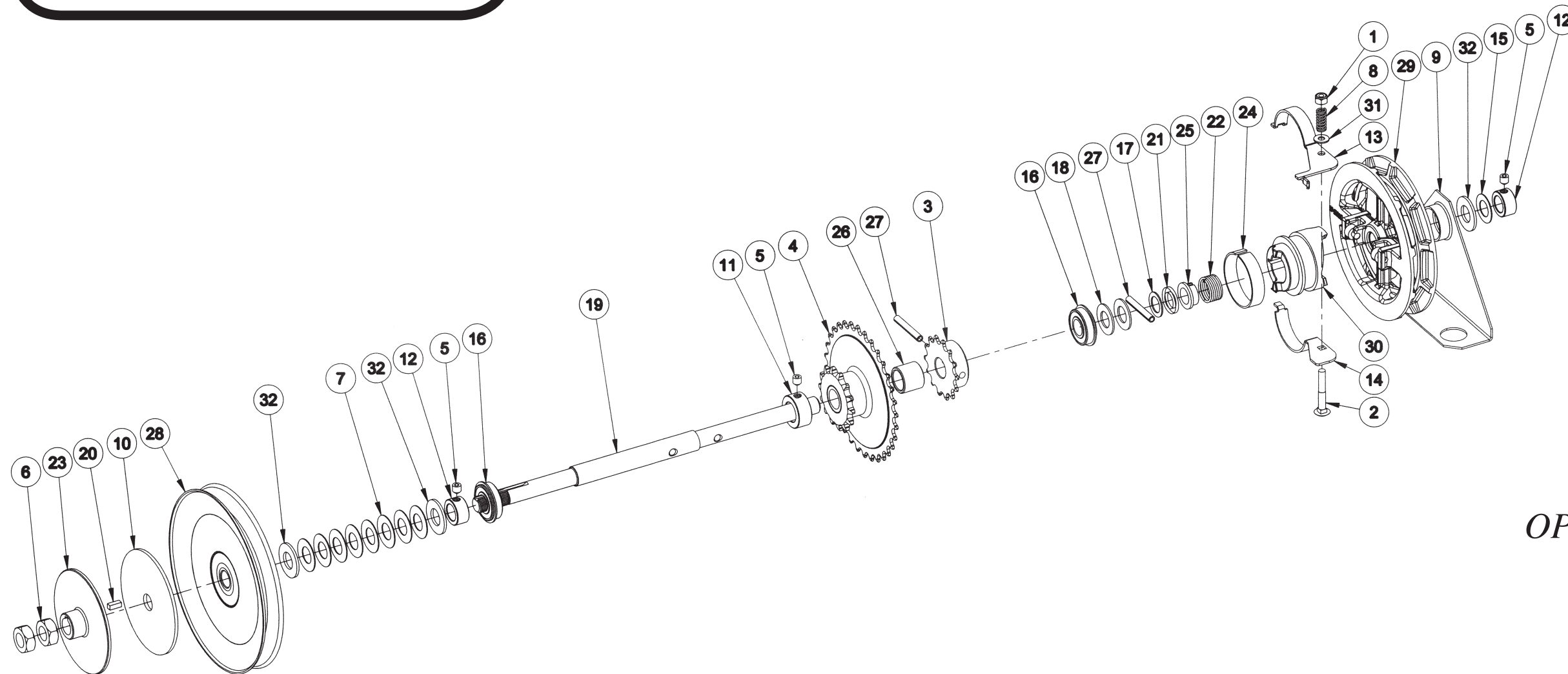
TOLL FREE: 855-931-3334

www.devancocanada.com

WHEN ORDERING REPAIR PARTS
PLEASE SUPPLY THE
FOLLOWING INFORMATION:

- ✓ PART NUMBER
- ✓ DESCRIPTION
- ✓ MODEL NUMBER

No	Qty	DESCRIPTION	# MANARAS	REV
1	1	1/4-20 HEX NYLON LOCK NUT ZP	NUT020	
2	1	1/4-20 X 1-3/4 RND HD SQ NECK BOLT	BOLT094	
3	1	410B14 X 3/4 K0 0S PH1/4	SPR410B14X3/4	3
4	1	41B14_410A32 X 3/4 K0 0S	SPR41B14_410A32X3/4	
5	3	5/16-18 X 5/16 SET SCREW	SCREW003	
6	2	5/8-18 HEX JAM NUT ZP	NUT013	
7	8	BELLEVILLE WASHER (31.5X16.3X0.8)	WASHER035	
8	1	CAM GUIDE PLATE SPRING C260047	SPRING001	
9	1	CHAIN GUIDE OPERA	GUIDE014	2
10	1	CL.PAD 5/8x4x0.125"	CLUTCHPAD005	3
11	1	COLLAR 3/4"	COLLAR005	
12	2	COLLAR 5/8"	COLLAR004	
13	1	DISCONNECT SWITCH SHOE	SHOE010	2
14	1	DISCONNECT SWITCH SHOE A	SHOE009	5
15	1	FDGHE FW 5/8ID X 11/8 TRA1018	BEARING024	
16	2	FLANGED BEARING 5/8	BEARING006	
17	1	FLT WASHER 5/8 (.630X.955X.047) ZP	WASHER018	
18	2	FLT WASHER 5/8 (.640X1.18X.065) ZP	WASHER043	
19	1	INPUT SHAFT OPERA-H	SHAFT104	10
20	1	KEY 3/16 X 1/2	KW031	5
21	1	OILLITE WASHER (.625X1.00X.125)	WASHER057	
22	1	OPERA - DISCONNECT SPRING	SPRING040	3
23	1	OPERA CLUTCHPLATE	CLUTCHPLATE006	3
24	1	OPERA DISCONNECT FRICTION BAND	SHOE011	
25	1	OPERA DISCONNECT SPRING BUSHING	BUSHING056	2
26	1	OPERA SPACER 3/4"	SPACER008	1
27	2	PIN SLOTTED SPRING 1/4 X 1-3/4	PIN020	
28	1	PULLEY 7" x 5/8" 5L/B	PULLEY020	5
29	1	PW ASSEMBLY (ROLLERS AND CLIPS)	POCKETWHEEL007	
30	1	SYNTHETIC DISCONNECT CAM OPERA	CAM017	0
31	1	TYPE A PLAIN WASHER 3/16 ZP	WASHER003	
32	3	TYPE A PLAIN WASHER 5/8 N ZP	WASHER014	



NOT SHOWN IN DRAWING		
Qty	DESCRIPTION	# MANARAS
1	TYPE B, INSIDE LENGHT 29"	VBELTB29

OPERA-H CLUTCH SHAFT KIT

For more information:
www.devancocanada.com
or call toll free at 855-931-3334