

## HOW TO ORDER REPAIR PARTS

### DEVANCO CANADA

19192 HAY ROAD, UNIT Q  
SUMMERSTOWN, ON K0C 2E0

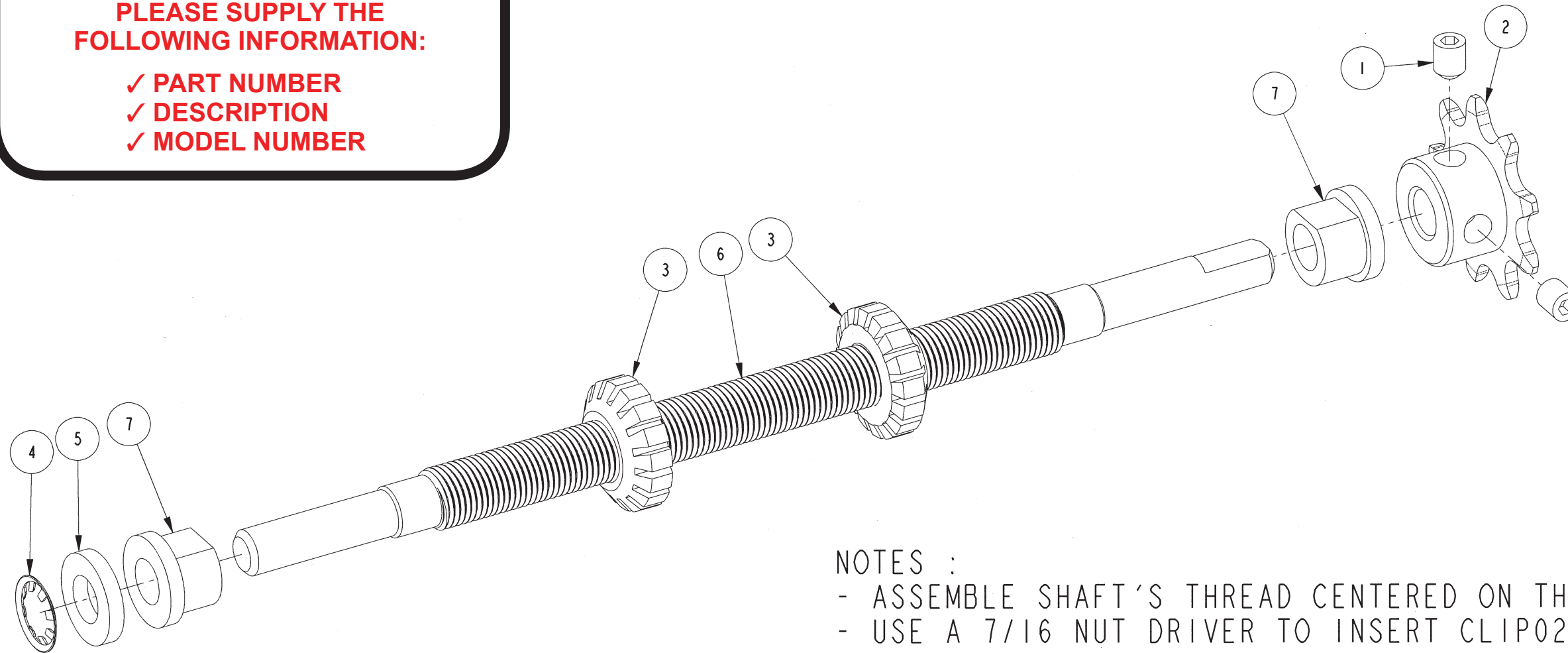
TOLL FREE: 855-931-3334  
www.devancocanada.com

WHEN ORDERING REPAIR PARTS  
PLEASE SUPPLY THE  
FOLLOWING INFORMATION:

- ✓ PART NUMBER
- ✓ DESCRIPTION
- ✓ MODEL NUMBER

No	Qty	DESCRIPTION	# MANARAS	REV
1	2	1/4-20 X 5/16 SET SCREW	SCREW001	
2	1	410B9 X 3/8 KO 2S1/4-20	SPR410B9X3/8	
3	2	CAM LIMIT OPERA	CAM011	2
4	1	EXTERNAL 3/8 RETAINING RING	CLIP021	
5	1	FLT WASHER 3/8 (.391X.750X.130) ZP	WASHER064	
6	1	OPERA LIMIT SHAFT	SHAFT103	6
7	2	OPERA LIMIT SHAFT BUSHING	BUSHING055	1

### OPERA LIMIT SHAFT KIT



#### NOTES :

- ASSEMBLE SHAFT'S THREAD CENTERED ON THE LIMIT SWITCHES.
- USE A 7/16 NUT DRIVER TO INSERT CLIP021.

For more information:  
[www.devancocanada.com](http://www.devancocanada.com)  
 or call toll free at 855-931-3334