

HOW TO ORDER REPAIR PARTS

DEVANCO CANADA

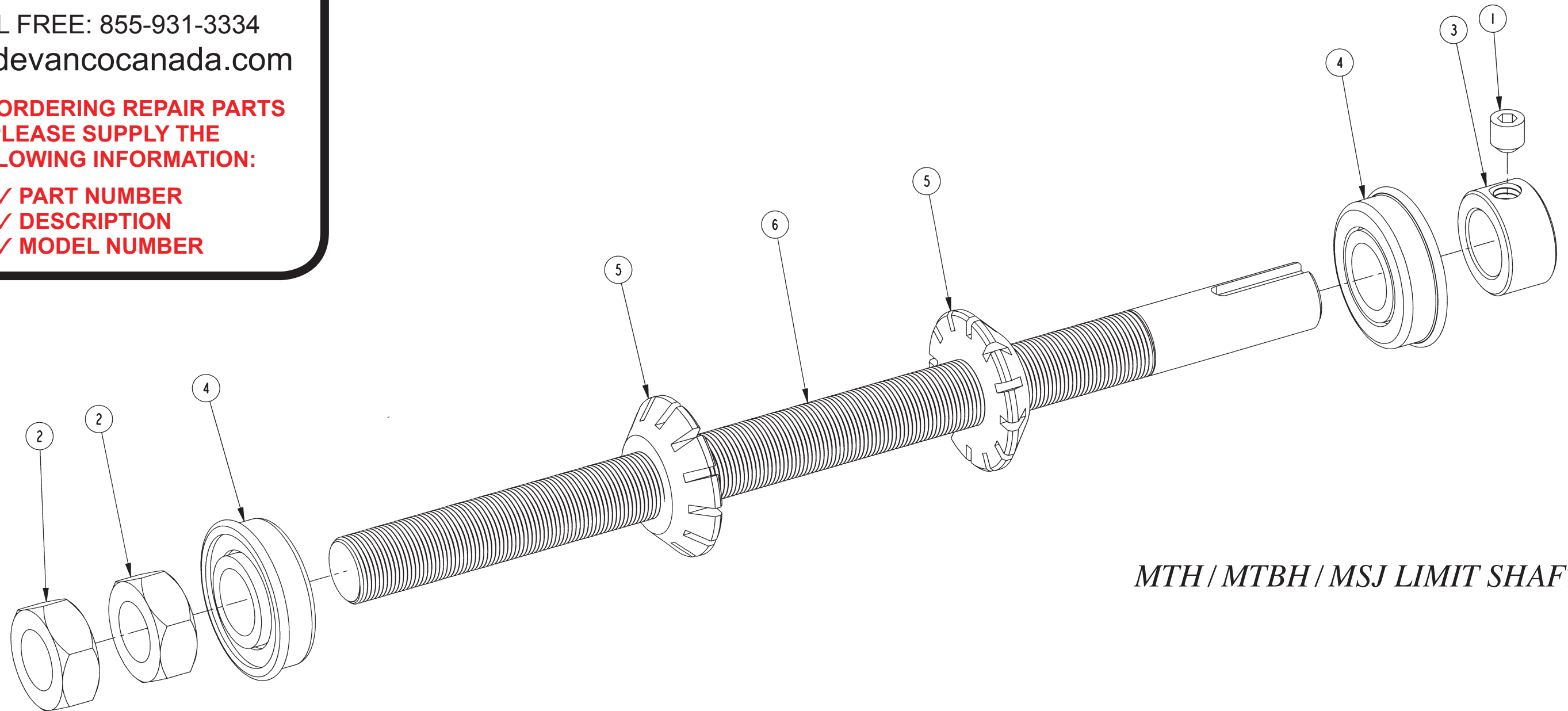
19192 HAY ROAD, UNIT Q
SUMMERSTOWN, ON K0C 2E0

TOLL FREE: 855-931-3334
www.devancocanada.com

WHEN ORDERING REPAIR PARTS
PLEASE SUPPLY THE
FOLLOWING INFORMATION:

- ✓ PART NUMBER
- ✓ DESCRIPTION
- ✓ MODEL NUMBER

No	Qty	DESCRIPTION	# MANARAS	REV
1	1	5/16-18 X 5/16 SET SCREW	SCREW003	
2	2	5/8-24 HEX JAM NUT ZP	NUT015	
3	1	COLLAR 5/8"	COLLAR004	
4	2	FLANGE BEARING 5/8 c10-22f*3	BEARING005	
5	2	LIMIT CAM 5/8-24UNEF	CAM004	
6	1	SHAFT 24UNEF LG.10.085"	SHAFT105	2



MTH / MTBH / MSJ LIMIT SHAFT KIT

**For more information:
www.devancocanada.com
or call toll free at 855-931-3334**