

MANARAS RADIO031 & RADIO037 are MCR-32 RECEIVERS

MODEL MCR-32 WIRING INSTRUCTIONS ON A MANARAS OPERATOR (WITH ELECTRONIC CONTROL BOARD)

The model MCR-32 commercial receiver is provided with three isolated contacts, a normally open contact for OPEN, a normally open contact for CLOSE and a normally closed contact for STOP. Wire these contacts as you would a 3-button station.

For a typical installation using a receiver only (See figure 1): Connect Terminal #4 of the MCR-32 to Terminal #6 of the MCR-32 and then Terminal #6 of the MCR-32 to Terminal #8 of the MCR-32. Connect Terminal #8 of the MCR-32 to Terminal #8 of the operator. Connect Terminal #7 of the MCR-32 to Terminal #9 of the operator, Terminal #5 of the MCR-32 to Terminal #6 of the operator and Terminal #3 of MCR-32 to the Terminal #7 of the operator.

If you are using a 3-button station and a MCR-32 receiver (See figure 2): Connect Terminal #4 of the MCR-32 to Terminal #6 of the MCR-32 and then Terminal #6 of the MCR-32 to COM of the 3-button station. Connect the COM of the 3-button station to Terminal #8 of the operator. Connect Terminal #7 of the MCR-32 to Terminal #9 of the operator. Connect Terminal #3 of the MCR-32 to Terminal #7 of the operator and then the Terminal #7 of the operator to OPEN of the 3-button station. Connect Terminal #5 of the MCR-32 to Terminal #6 of the operator and then Terminal #6 of the operator to CLOSE of 3-button station. Connect STOP of 3-button station to Terminal #8 of the MCR-32.

To supply 24 Volts AC power to the receiver, connect Terminals #1 and #2 of the MCR-32 to Terminals #1 and #2 of the operator respectively.

Potentiometer located at top/left of the electronic board



FIGURE 1

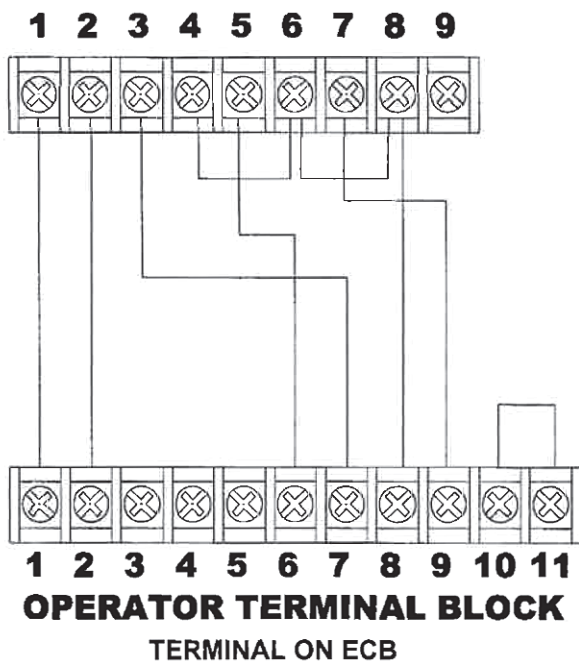
IMPORTANT
(ADJUST ONLY WHEN REQUIRED)

NOTE: The quality of reception depends on several factors surrounding the Radio Receiver

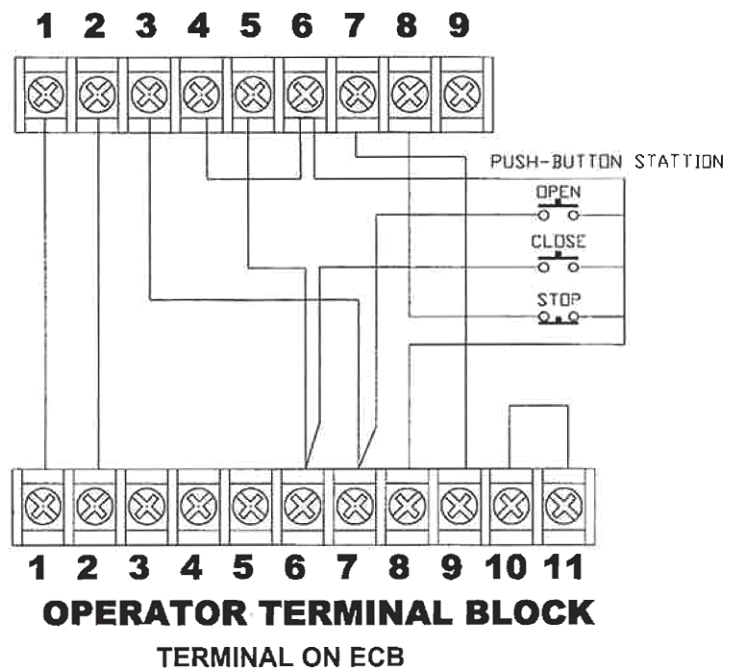
TO ADJUST: Turn the potentiometer clockwise or counter-clockwise gradually until you notice an increase in the reception range

FIGURE 2

RADIO RECEIVER TERMINAL BLOCK



RADIO RECEIVER TERMINAL BLOCK



***HOW TO ORDER
REPAIR PARTS***

DEVANCO CANADA

19192 HAY ROAD, UNIT Q
SUMMERSTOWN, ON K0C 2E0

TOLL FREE: 855-931-3334

www.devancocanada.com

**WHEN ORDERING REPAIR PARTS
PLEASE SUPPLY THE
FOLLOWING INFORMATION:**

- ✓ PART NUMBER
- ✓ DESCRIPTION
- ✓ MODEL NUMBER