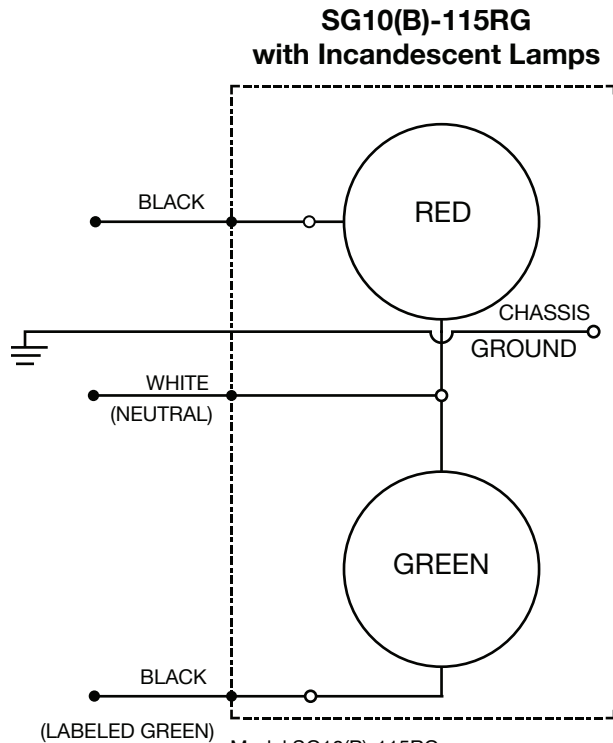
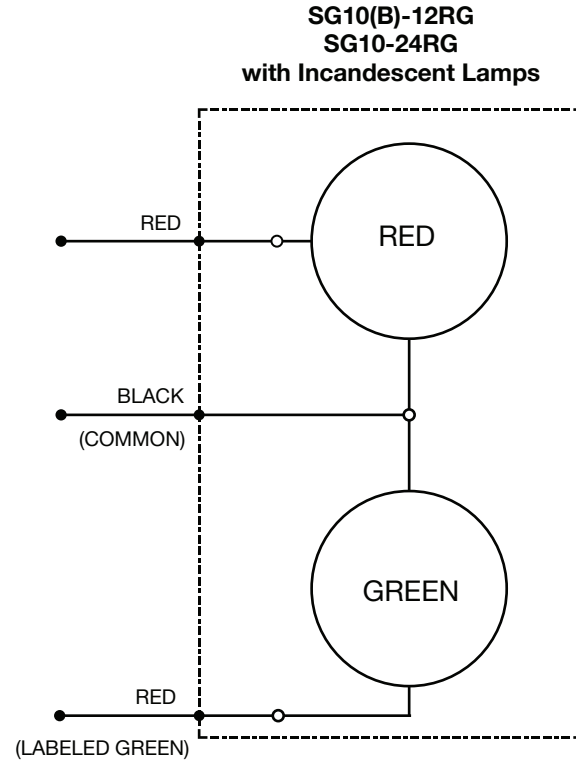


WIRING DIAGRAM for MODELS SG10-RG (Incandescent) and SG10-RG-LED (LED)

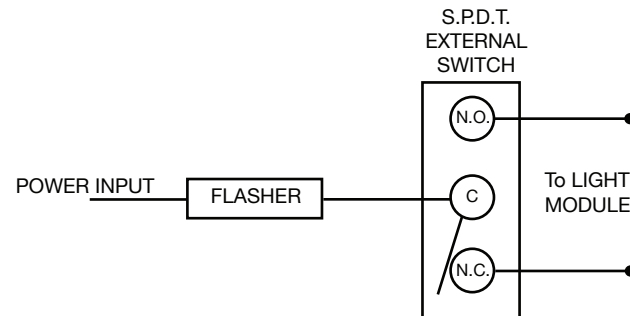


Model SG10(B)-115RG
MUST be used with a flasher
or overheating will occur.



Models SG10(B)-12RG or 24RG
MUST be used with a flasher
or overheating will occur.

Typical arrangement for external control:
Use N.O. (Normally Open) or N.C. (Normally Closed)
switch contacts to control RED & GREEN light modules.
The switch may be activated by external control as required.



For more information, please visit www.devancocanada.com or call toll free at 855-931-3334